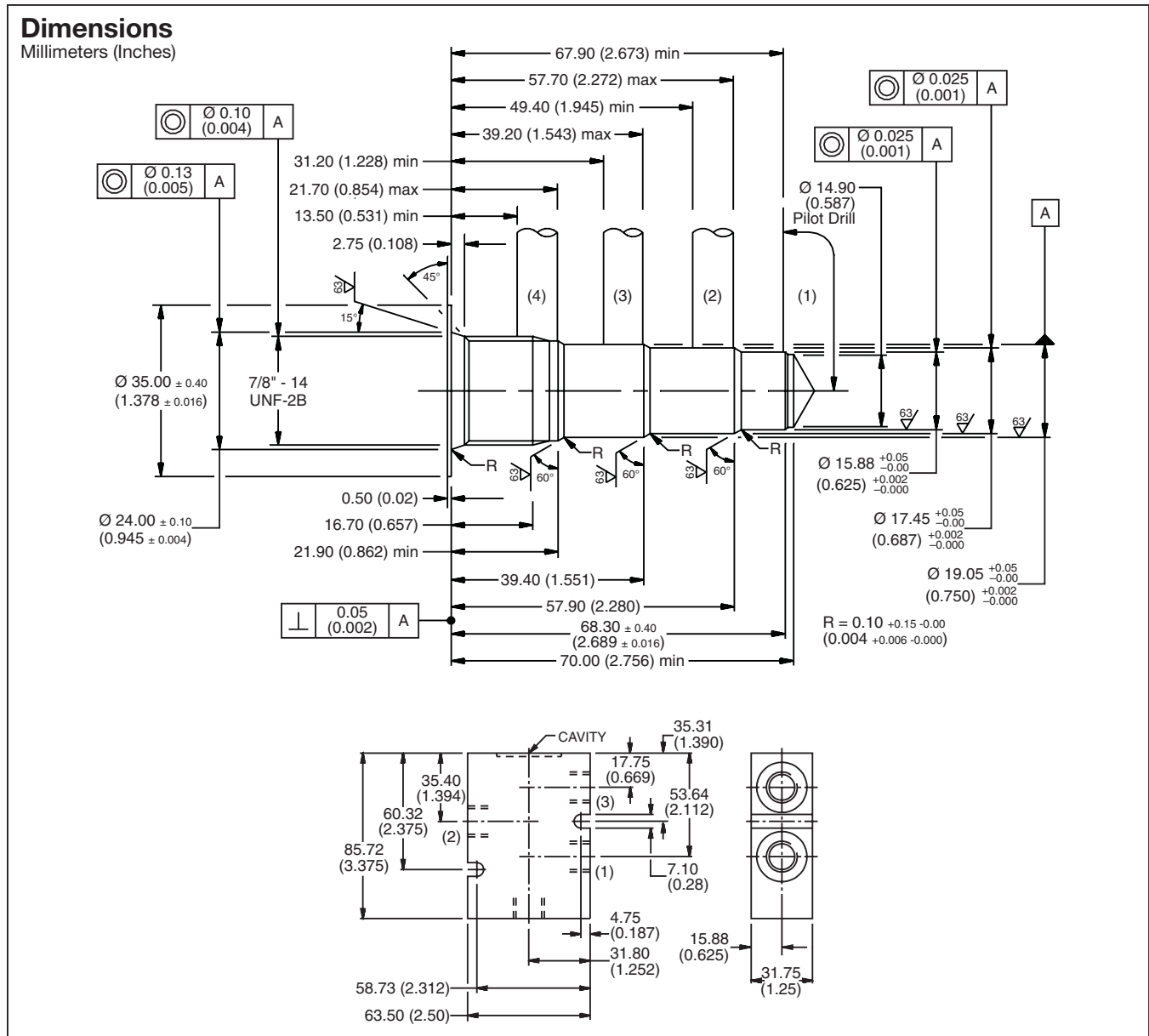


For additional information see Technical Tips on pages BC2-BC3.



\*Please be advised that this is a non-core line body.  
 Additional lead-time and/or pricing requirements may exist when ordering.

CV
Check Valves
SH
Shuttle Valves
LM
Load/Motor Controls
FC
Flow Controls
PC
Pressure Controls
LE
Logic Elements
DC
Directional Controls
SV
Solenoid Valves
PV
Proportional Valves
CE
Coils & Electronics
BC
Bodies & Cavities
TD
Technical Data