

**General Description**

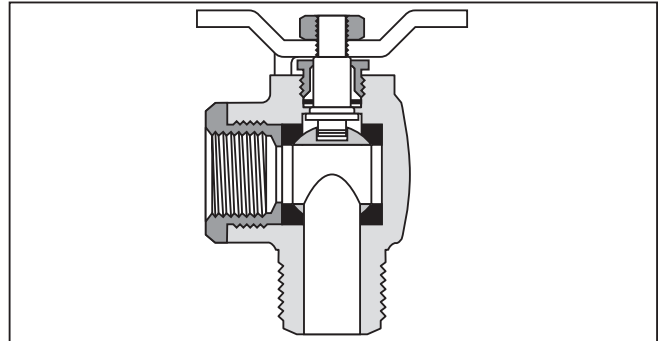
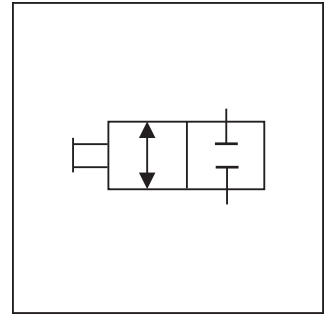
Series 590 low pressure 90° ball valves provide total shut-off capability for services up to 17 Bar (250 PSI).

**Operation**

A quarter turn of the handle is on or off. Ball valves are not intended for use as a throttling valve. Attempting to use it in these applications may result in premature seal failure and/or inability to turn the valve handle.

**Features**

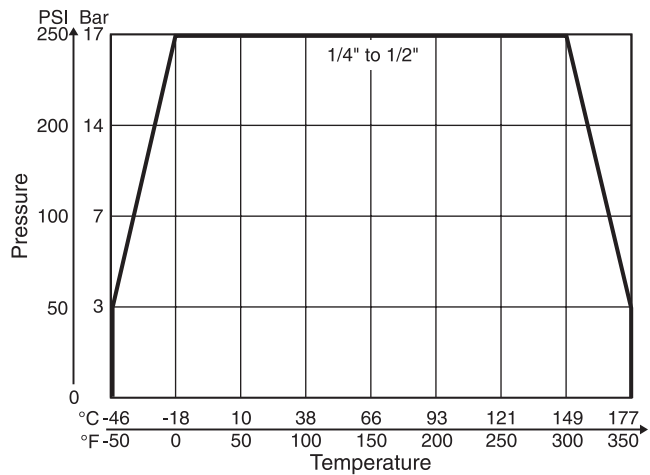
- Ball Valve bodies are machined from high quality CA377 forgings which provide extended service life and resist failure caused by severe temperature conditions.
- Highly inert PTFE seats and seals provide resistance to chemical corrosion.
- Blowout proof stem design, chrome plated brass ball and a special design handle enable increased turn and leverage for ease of opening and closing.



**Specifications**

<b>Working Pressure</b>	17 Bar (250 PSI)
-------------------------	------------------

**Performance Curve**



**Ordering Information**



Style



Type



Material



Size



Design Series

Code	Description
590	90° Male/Female NPT Ports
591	90° Male/Male NPT Ports

Code	Description
P	Brass

Code	Size
4	1/4" NPT
6	3/8" NPT
8	1/2" NPT

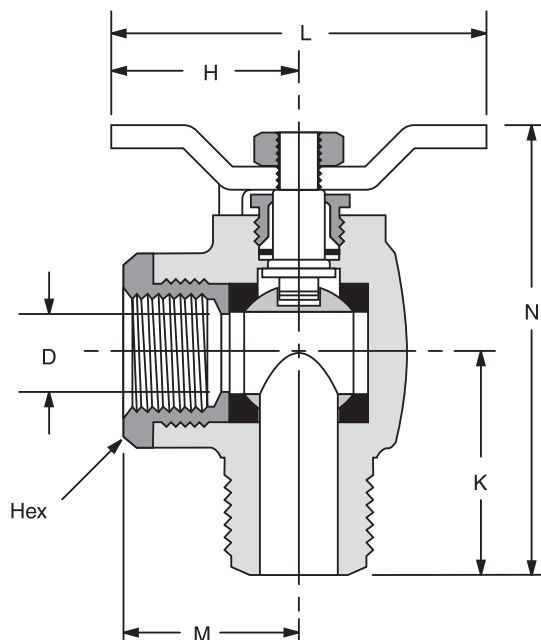
NOTE:  
 Not required when ordering.

**WARNING:** This product can expose you to chemicals including Lead, Nickel (Metallic), or 1,3-Butadiene which are known to the State of California to cause cancer, and Lead or 1,3-Butadiene which is known to the State of California to cause birth defects and other reproductive harm. For more information go to [www.P65Warnings.ca.gov](http://www.P65Warnings.ca.gov).

Cat3300\_02.indd, ddp, 04/19



**Model V590P**



Part Number	Pipe Thread	Hex	Dimensions mm (in)					D Flow Ø
			H	K	L	M	N	
<b>90° Flow, Male-Female Pipe Ends V590P</b>								
V590P-4	1/4"	15/16"	31.8 (1.25)	27.4 (1.08)	63.5 (2.50)	25.4 (1.00)	61.5 (2.42)	9.5 (0.375)
V590P-6	3/8"	15/16"	31.8 (1.25)	27.7 (1.09)	63.5 (2.50)	25.4 (1.00)	61.7 (2.43)	9.5 (0.375)
V590P-8	1/2"	1-1/16"	31.8 (1.25)	33.0 (1.30)	63.5 (2.50)	27.4 (1.08)	67.8 (2.67)	12.7 (0.500)