

General Description

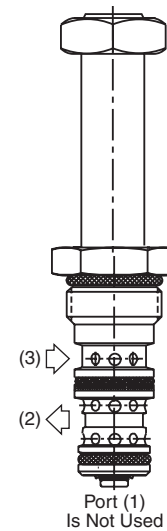
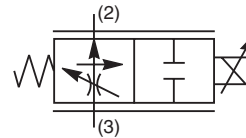
2 Way, Normally Open, Proportional Flow Regulator Valve. Pressure Compensated.
 For additional information see Technical Tips on pages PV2-PV5.

Features

- One piece cartridge housing ensures internal concentricity
- Coil: Waterproof, hermetically sealed, requires no O’Rings; Symmetrical coil can be reversed without affecting performance.
- Nonmagnetic spool and housing assembly
- Factory-adjusted low variation option (Model “L”) is available for applications where low variation of flow from valve to valve is essential at a given current.

Specifications

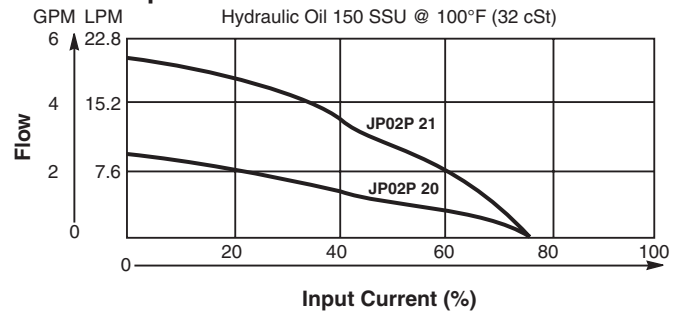
Rated Flow	20 9.5 LPM (2.5 GPM) Standard (‘SS’ Coil) 21 19 LPM (5 GPM) High Flow (‘SP’ Coil)
Maximum Input Pressure at Port 2	210 Bar (3000 PSI)
Minimum Pressure Differential	20 10.3 Bar (150 PSI) Standard 21 20.7 Bar (300 PSI) High Flow
Maximum Internal Leakage	570 cc (35 cu. in.) @ 210 Bar (3000 PSI)
Hysteresis @ 100 Hz PWM	<3%
Cracking Pressure	25% of Input Signal
Variation of Flow @ 35% of Rated Current	Model “L” ±7% Of Rated Flow
Cartridge Material	All parts steel. All operating parts hardened steel.
Operating Temp. Range/Seals	-34°C to +121°C (Nitrile) (-30°F to +250°F) -26°C to +204°C (Fluorocarbon) (-15°F to +400°F)
Fluid Compatibility/ Viscosity	Mineral-based or synthetic with lubricating properties at viscosities of 45 to 2000 SSU (6 to 420 cSt)
Filtration	ISO-4406 18/16/13, SAE Class 4
Approx. Weight	0.08 kg (0.17 lbs.)
Cavity	C08-3 (See BC Section for more details)



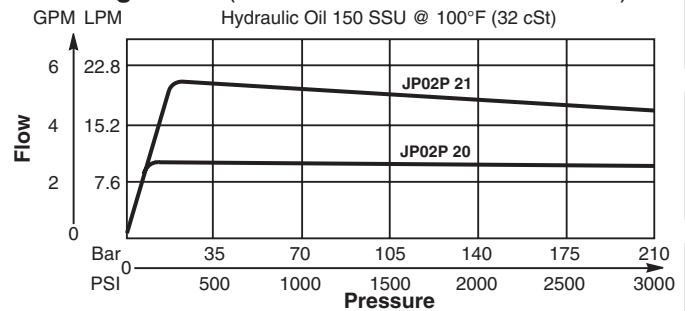
Performance Curves

▲ PWM Current Regulator Recommended

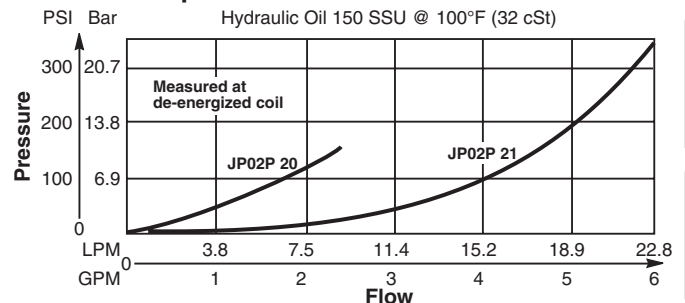
Flow vs. Input Current



Flow Regulation (Measured 75% of Rated Current)

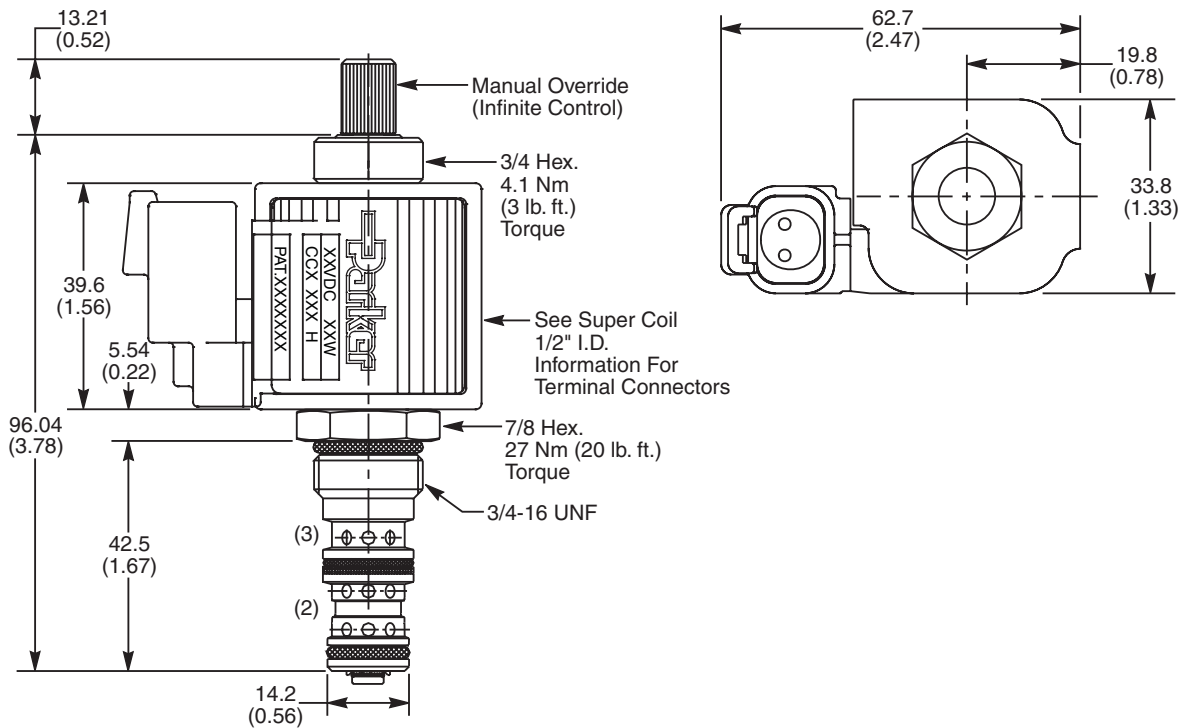


Pressure Drop vs. Flow



- CV Check Valves
- SH Shuttle Valves
- LM Load/Motor Controls
- FC Flow Controls
- PC Pressure Controls
- LE Logic Elements
- DC Directional Controls
- SV Solenoid Valves
- PV Proportional Valves
- CE Coils & Electronics
- BC Bodies & Cavities
- TD Technical Data

Dimensions Millimeters (Inches)



Ordering Information

JP02P				N	L
08 Size Proportional Valve	Style	Override Option	Filter Screen	Seals	Flow Variation

Highlighted represents preferred options that offer the shortest lead times. Other options may be available, but at extended lead times.

Coil(s) sold separately. Please see section CE of this catalog, 1/2" Super-Coil (CC series), for ordering information.

Code	Style (Maximum Regulated Flow)
20	Standard ('SS' Coil) 9.5 LPM (2.5 GPM)
21	High Flow ('SP' Coil) 19 LPM (5 GPM)

Code	Seals
N	Nitrile

Order Bodies Separately
 See section BC

B08	—	3	—	6T
08 size		3-Way Cavity		Port Size

Code	Override Option
0	Not Required
5	Infinite Control M.O.

Code	Flow Variation
L	Low Variation (±7% of Rated Flow)

Code	Porting / Body Material
6T	SAE-6 / Steel (5000 PSI)

Code	Filter Screen
0	Not Available
1	60 Mesh Screen on Port 2

Kit	Part Number
Nitrile Seal	SK30105N-1
Fluorocarbon Seal	SK30105V-1

CV
Check Valves

SH
Shuttle Valves

LM
Load/Motor Controls

FC
Flow Controls

PC
Pressure Controls

LE
Logic Elements

DC
Directional Controls

SV
Solenoid Valves

PV
Proportional Valves

CE
Coils & Electronics

BC
Bodies & Cavities

TD
Technical Data