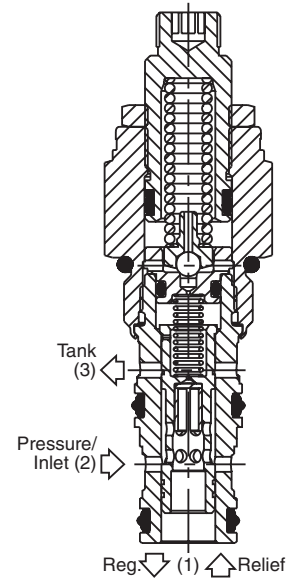
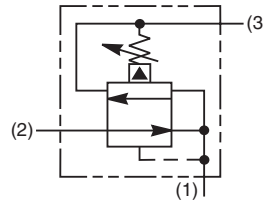


**General Description**

Pilot Operated Pressure Reducing/ Relieving Valve.  
 For additional information see Technical Tips on pages PC3-PC7.

**Features**

- Hardened, precision ground parts for durability
- Low profile adapter for minimal space requirements
- Fully guided pilot for more consistent reseal
- Steel adapters are zinc plated
- Polyurethane “D”-Ring eliminates backup rings and prevents hydrolysis
- Internal screening protects pilot spring from debris

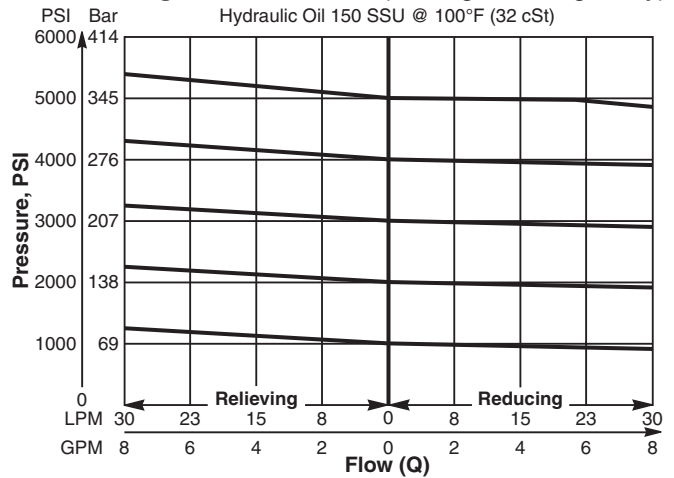


**Specifications**

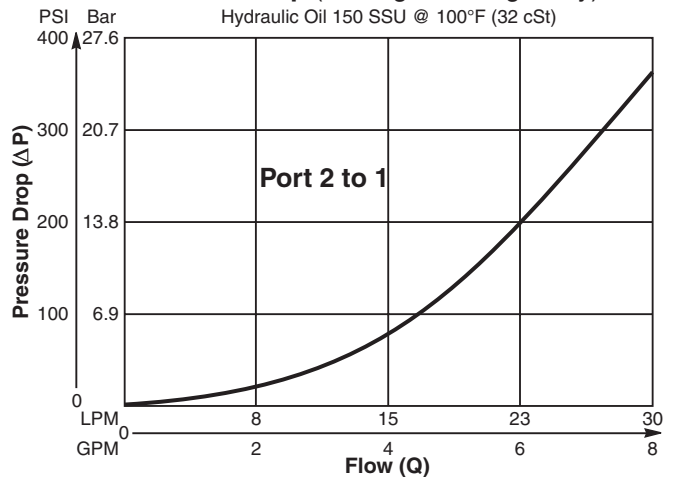
Rated Flow	30 LPM (8 GPM)
Maximum Inlet Pressure	380 Bar (5500 PSI)
Maximum Pressure Setting	350 Bar (5000 PSI)
Sensitivity: Pressure/Turn	<b>10</b> 19.6 Bar (285 PSI) <b>30</b> 58.9 Bar (859 PSI) <b>50</b> 131.7 Bar (1910 PSI)
Maximum Tank Pressure	350 Bar (5000 PSI)
Maximum Drain Flow	0.56 LPM (0.15 GPM)
Cartridge Material	All parts steel. All operating parts hardened steel.
Operating Temp. Range/Seals	-37°C to +93°C (“D”-Ring) (-35°F to +200°F) -34°C to +121°C (Nitrile) (-30°F to +250°F) -26°C to +204°C (Fluorocarbon) (-15°F to +400°F)
Fluid Compatibility/ Viscosity	Mineral-based or synthetic with lubricating properties at viscosities of 45 to 2000 SSU (6 to 420 cSt)
Filtration	ISO-4406 18/16/13, SAE Class 4
Approx. Weight	0.11 kg (0.25 lbs.)
Cavity	C08-3 (See BC Section for more details)

**Performance Curves**

**Flow vs. Regulated Pressure** (Through cartridge only)

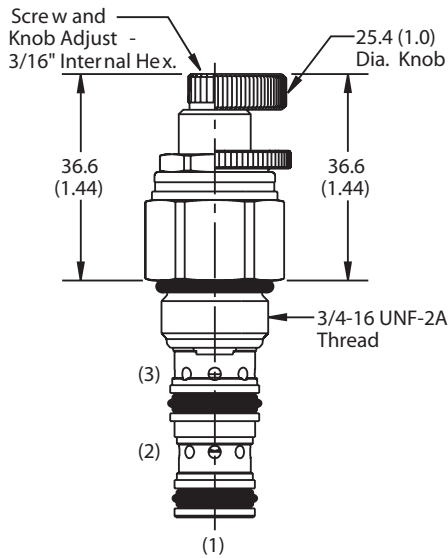


**Flow vs. Pressure Drop** (Through cartridge only)

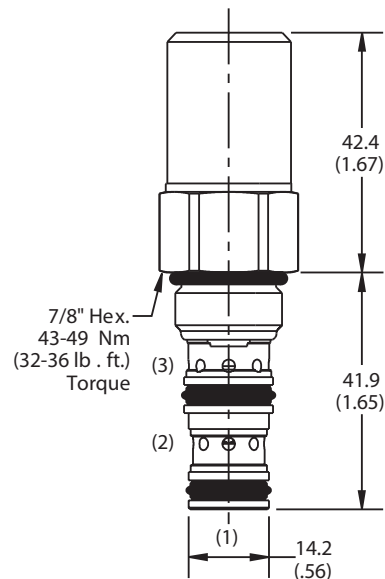


<b>CV</b>
Check Valves
<b>SH</b>
Shuttle Valves
<b>LM</b>
Load/Motor Controls
<b>FC</b>
Flow Controls
<b>PC</b>
Pressure Controls
<b>LE</b>
Logic Elements
<b>DC</b>
Directional Controls
<b>SV</b>
Solenoid Valves
<b>PV</b>
Proportional Valves
<b>CE</b>
Coils & Electronics
<b>BC</b>
Bodies & Cavities
<b>TD</b>
Technical Data

**Dimensions** Millimeters (Inches)



Screw/Knob Version



Tamper Resistant Version

**Ordering Information**

<b>PRH081</b>	<b>S</b>	<input type="checkbox"/>
08 Size P.O. Pressure Reducing/Relieving Valve	Adjustment Style	Pressure Range

**Highlighted** represents preferred options that offer the shortest lead times. Other options may be available, but at extended lead times.

Code	Adjustment Style
S	Screw Adjust

Code	Seals
Omit	D-Ring

Order Bodies Separately  
 See section BC

<b>B08</b>	—	<b>3</b>	—	<b>6T</b>
08 size		3-Way Cavity		Port Size

Code	Porting / Body Material
6T	SAE-6 / Steel (5000 PSI)

Code	Pressure Range
10	6.9 - 69 Bar (100 - 1000 PSI) Standard Setting: 34.5 Bar (500 PSI)
30	13.8 - 207 Bar (200 - 3000 PSI) Standard Setting: 103.5 Bar (1500 PSI)
50	13.8 - 345 Bar (200 - 5000 PSI) Standard Setting: 172.4 Bar (2500 PSI)

**NOTE:** For settings below 20.7 Bar (300 PSI), flow rating is limited to 11.3 LPM (3 GPM).

Kit	Part Number
Knob	717784-10
Tamper Resistant Cap	717943
D-Ring Seal	SK08-3
Nitrile Seal	SK08-3
Fluorocarbon Seal	SK08-3V

CV
Check Valves
SH
Shuttle Valves
LM
Load/Motor Controls
FC
Flow Controls
PC
Pressure Controls
LE
Logic Elements
DC
Directional Controls
SV
Solenoid Valves
PV
Proportional Valves
CE
Coils & Electronics
BC
Bodies & Cavities
TD
Technical Data