

**Technical Information**

**General Description**

4-Way, 2 Position, Normally Closed Manual Spool Valve. Designed to operate double acting cylinders, pilot circuits and bi-directional motors.

**Features**

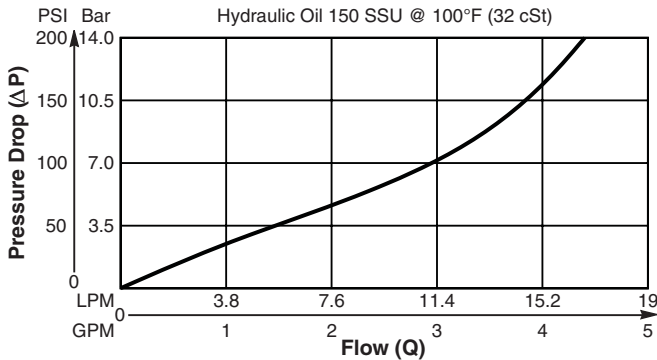
- High flow capacity with reduced space requirements
- One piece cartridge housing ensures internal concentricity
- Low mechanical operating force required
- Detented option available
- All external parts zinc plated

**Operation**

Neutral, all ports blocked. Push to shift for flow 3 to 2 and 4 to 1.

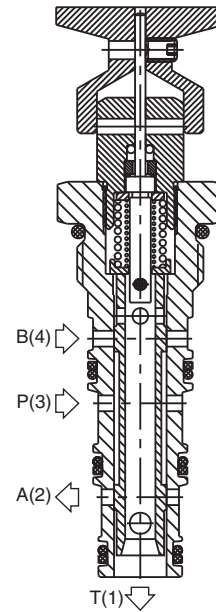
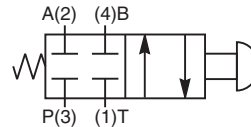
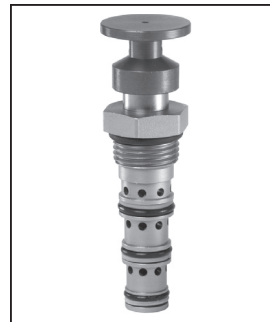
**Performance Curve**

Pressure Drop vs. Flow (Through cartridge only)

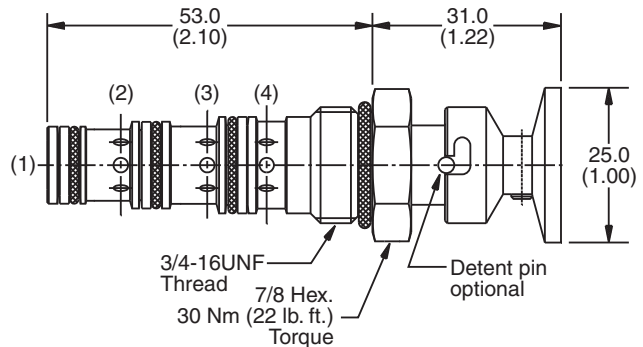


**Specifications**

|   |   |
|---|---|
| <b>Rated Flow</b>                                       | 15 LPM (4 GPM)  |
| <b>Operating Pressure</b>                               | <b>Side Ports</b> - 350 Bar (5000 PSI)<br><b>Bottom Port</b> - 35 Bar (500 PSI)                         |
| <b>Max. Operating Pushing or Pulling Force Required</b> | 5 kg (11 lbs.)  |
| <b>Cartridge Material</b>                               | All parts steel. All operating parts hardened steel.  |
| <b>Operating Temp. Range/Seals</b>                      | -34°C to +121°C (Nitrile, Buna-N) (-30°F to +250°F)<br>-26°C to +204°C (Fluorocarbon) (-15°F to +400°F) |
| <b>Fluid Compatibility/Viscosity</b>                    | Mineral-based or synthetic with lubricating properties at viscosities of 45 to 2000 SSU (6 to 420 cSt)  |
| <b>Filtration</b>                                       | ISO-4406 18/16/13, SAE Class 4  |
| <b>Approx. Weight</b>                                   | .12 kg (.25 lbs.)   |
| <b>Cavity</b>   | C08-4 (See BC Section for more details)   |



**Dimensions** Millimeters (Inches)



**Ordering Information**

**GM02 40CS**

08 Size Manual Valve    Detent Option    Seals    Body Material    Port Size  
Spool Type    Normally Closed

| Code | Detent Option       |
|------|---------------------|
| Omit | Non-Detented (Std.) |
| 1    | Detented            |

| Code | Body Material |
|------|---------------|
| Omit | Steel         |
| A    | Aluminum      |

| Code | Seals / Kit No.                |
|------|--------------------------------|
| N    | Nitrile, Buna-N / (SK30078N-1) |
| V    | Fluorocarbon / (SK30078V-1)    |

| Code | Port Size      | Body Part No. |
|------|----------------|---------------|
| Omit | Cartridge Only |               |
| 4T   | SAE-4          | (B08-4-*4T)   |
| 6T   | SAE-6          | (B08-4-*6T)   |

\* Add "A" for aluminum, omit for steel.



- CV**  
Check Valves
- SH**  
Shuttle Valves
- LM**  
Load/Motor Controls
- FC**  
Flow Controls
- PC**  
Pressure Controls
- LE**  
Logic Elements
- DC**  
Directional Controls
- MV**  
Manual Valves
- SV**  
Solenoid Valves
- PV**  
Proportional Valves
- CE**  
Coils & Electronics
- BC**  
Bodies & Cavities
- TD**  
Technical Data