



ASL Series Pump

Air Driven, High Pressure Liquid Pump

Operation and Maintenance Manual

Manual: 02-9233ME | April 2022



ENGINEERING YOUR SUCCESS.

Parker Instrumentation Products Division (IPD)

Live Chat Support is available from www.parker.com/IPD when the Chat icon “” is visible on screen.

Model # _____

Order # _____

Serial # _____

Mfg. Date _____

Drawing # _____

Complete information above for future reference.



**FAILURE, IMPROPER SELECTION OR IMPROPER USE OF THE PRODUCTS AND/OR SYSTEMS DESCRIBED HEREIN
OR RELATED ITEMS CAN CAUSE DEATH, PERSONAL INJURY AND PROPERTY DAMAGE.**

This document and other information from Parker Hannifin Corporation, its subsidiaries and authorized distributors provide product and/or system options for further investigation by users having technical expertise. It is important that you analyze all aspects of your application and review the information concerning the product or system in the current product catalog.

Due to the variety of operating conditions and applications for these products or systems, the user, through its own analysis and testing, is solely responsible for making the final selection of the products and systems and assuring that all performance, safety and warning requirements of the application are met.

The products described herein, including without limitation, product features, specifications, designs, availability and pricing, are subject to change by Parker Hannifin Corporation and its subsidiaries at any time without notice.

ALL PARKER VALVES MUST PASS A RIGID OPERATIONAL AND LEAKAGE TEST BEFORE LEAVING THE FACTORY. IT IS RECOMMENDED AFTER ANY REASSEMBLY, THE VALVE SHOULD BE TESTED BY THE USER FOR OPERATION AND LEAKAGE. IF THESE INSTRUCTIONS ARE NOT FULLY COMPLIED WITH, THE REPAIRED PRODUCT MAY FAIL AND CAUSE DAMAGE TO PROPERTY OR INJURY TO PERSONS. PARKER HANNIFIN CANNOT ASSUME RESPONSIBILITY FOR PERFORMANCE OF A CUSTOMER SERVICED VALVE.



Product Drawings

Typical Pump Cross Sectional View 4

ASL Pump Dimensional View 5

Operation & Maintenance Information

1.0 Introduction 6

2.0 Meaning of Safety Words..... 6

3.0 Product Specification 7

4.0 Unpacking 7

5.0 Tools 7

6.0 Installation 7

6.1 Compressed Air Supply 8

6.2 Liquid Section 8

7.0 Pump Start-Up 9

8.0 Process Media 10

9.0 Pump Functionality 10

10.0 Suggested Maintenance 11

Troubleshooting Information

11.0 Repair Kit Options 12

12.0 ASL Series Drawings 13

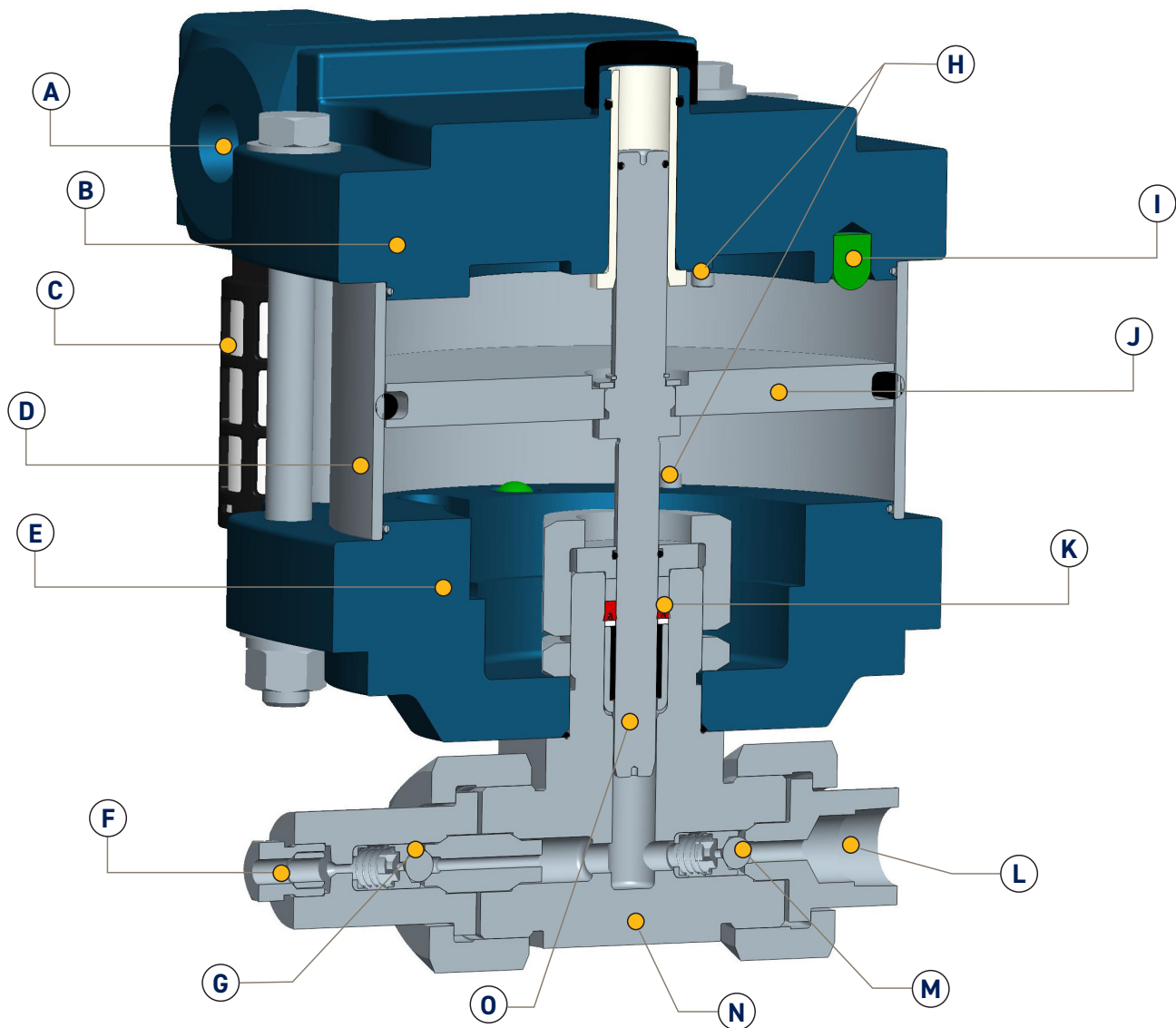
13.0 Trouble Shooting-Pneumatic Section 26

14.0 Trouble Shooting-High Pressure, Liquid Section 27

15.0 Service 27



Typical Pump: Cross Sectional View

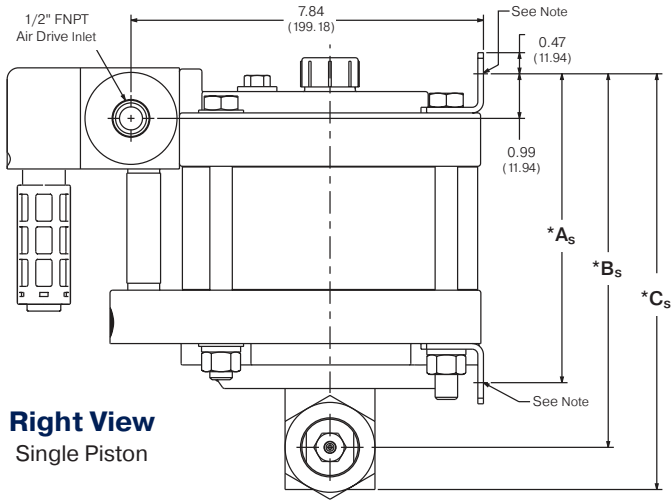


	Description
A	Air Inlet
B	Top End Cap
C	Air Muffer
D	Air Cylinder
E	Bottom End Cap
F	High Pressure Outlet Connection
G	Outlet Check Valve
H	Pilot Valve

	Description
I	Air Piston Bumper
J	Air Piston
K	High Pressure Seal Assembly
L	Liquid Inlet Connection
M	Inlet Check Valve
N	Pump Head Body
O	Hydraulic Plunger

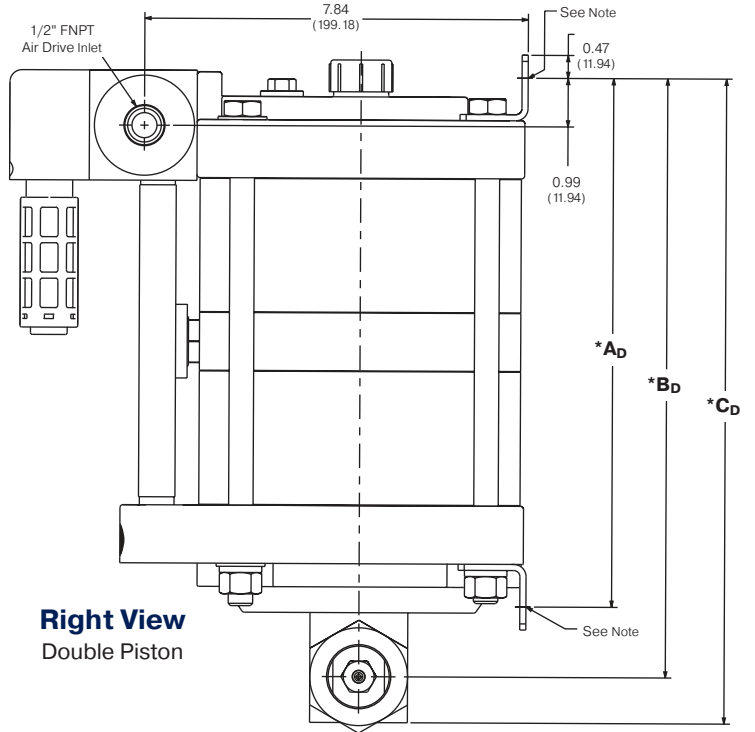


ASL Pump Dimensional View

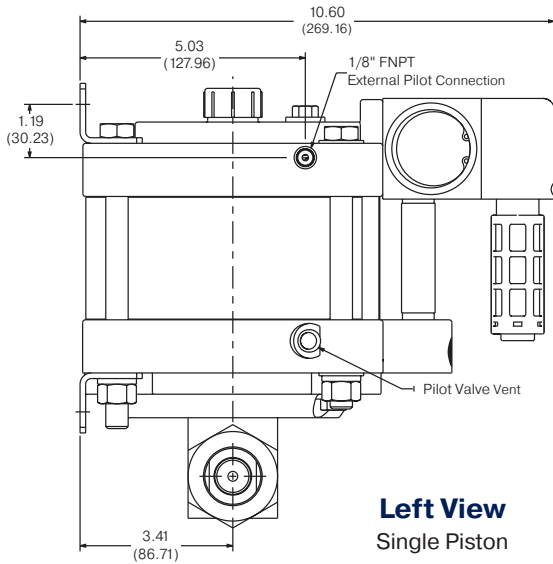


Right View
Single Piston

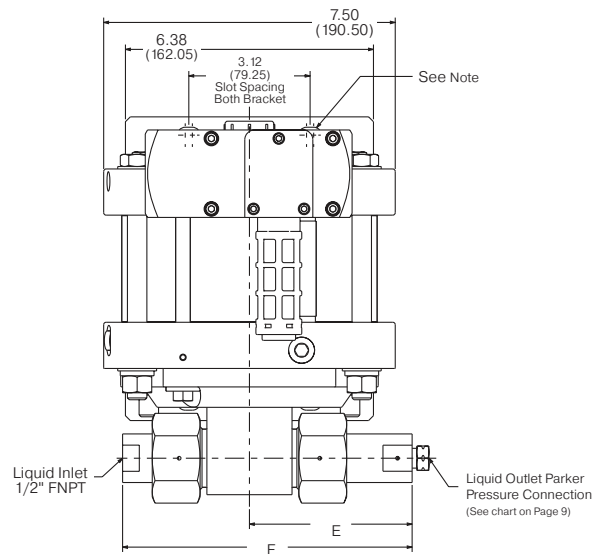
*See following page for product dimensions.



Right View
Double Piston



Left View
Single Piston



Front View
Single Piston

Note:

- Each mounting bracket includes (2) x 11/32" (8.73) slots for 5/16" bolts.
- All dimensions are for reference only and are subject to change without notice.
- Primary dimensions: Inches, Secondary Dimensions: (Millimeters)



ASL Pump: Height Dimension

Catalog Number	A _S	B _S	C _S
Single Piston Air Drive			
ASL10-01	6.87 (175)	8.25 (210)	9.83 (250)
ASL25-01	6.87 (175)	8.25 (210)	9.83 (250)
ASL35-01	6.87 (175)	8.25 (210)	9.83 (250)
ASL60-01	6.87 (175)	8.31 (211)	9.25 (235)
ASL100-01	6.87 (175)	8.31 (211)	9.25 (235)
ASL150-01	6.87 (175)	8.31 (211)	9.25 (235)
ASL250-01	6.87 (175)	8.31 (211)	9.25 (235)
ASL400-01	6.87 (175)	8.37 (213)	9.39 (239)

Catalog Number	A _D	B _D	C _D
Double Piston Air Drive			
ASL35-02	10.81 (275)	12.19 (310)	13.77 (350)
ASL60-02	10.81 (275)	12.25 (311)	13.19 (335)
ASL100-02	10.81 (275)	12.25 (311)	13.19 (335)
ASL150-02	10.81 (275)	12.25 (311)	13.19 (335)
ASL400-02	10.81 (275)	12.30 (312)	13.32 (338)

Note:

Each mounting bracket includes two (2) x 13/32" (10.32) slots for 3/8" bolts. Bottom inlet pump head and side inlet pump head are mutually exclusive. All dimensions are for reference only and are subject to change without notice.

Primary Dimensions: Inches

Secondary Dimensions: (Millimeters)

Operation & Maintenance Information

Section 1.0 Introduction

The Parker Autoclave Engineers pump discussed in this manual is operated using compressed air up to 150 psi (10 bar). Autoclave Engineers ASL Series pumps are used for pumping oil, water and oil/water mixtures. Special seals are also available for chemical service.

Please contact Autoclave Engineers to discuss availability of special seals. The pump operates using a pressure ratio of the air piston diameter to the liquid plunger diameter. Pumps are available in pressure ranges up to 60,000 psi (4137 bar).

The pump model number coincides with the approximate nominal ratio of the pump; ex. ASL400-01 is a 400:1 ratio, with an input air of 100 psi the output pressure would amount to 40,000 psi (2758 bar). (Output pressure = actual ratio x input air pressure). Refer to the product literature for the actual air pressure ratio.

Section 2.0 Meaning of Safety Words

A safety related message is identified by a safety alert symbol and a signal word to indicate the level of risk involved with a particular hazard. The definitions of the three signal words are as follows:

WARNING

Indicates a potentially hazardous situation which, if not avoided, could result in death or serious injury.

CAUTION

Indicates a potentially hazardous situation which, if not avoided, could result in death or serious injury.

Special notes intended to bring attention to procedures that must be followed to ensure proper installation and performance will be placed in a box labeled **NOTICE**.



Section 3.0 Product Specifications

See assembly drawing for product specifications:

- Pump Geometry
- Pump Materials of Construction
- Maximum Allowable Working Pressure
- Maximum Working Temperature
- Pressure Ratio
- Displacement
- Repair Kit Part Numbers
- Torque Information
- Weights

Section 4.0 Unpacking

The pump has been assembled and pressure tested at Parker Autoclave Engineers and is ready to be put into service. The shipping carton should be opened and the contents carefully examined upon receipt from the carrier. Make sure there is no obvious damage to the contents. **DO NOT** use the equipment if any damage is evident. If damage has occurred, file a claim with the shipper before contacting Parker Autoclave Engineers Service Department.

Examine all material within the container and check against the packing list to be sure all items are accounted for and are not damaged. Verify that the equipment model number supplied agrees with what was ordered.

Section 5.0 Tools

At minimum, the tools required for installation of the pump include a torque wrench, an open end wrench adapter (crows foot adapter) and an open end adjustable wrench.

Refer to the Tools, Maintenance and Installation Manual provided with the Data Book for information on torque wrenches and torque values for Parker Autoclave Engineers tubing and fittings.

Section 6.0 Installation

WARNING

Please read this manual in its entirety before attempting to operate an Parker Autoclave Engineers high pressure liquid pump

WARNING

Installation to be performed only by properly trained individuals.

WARNING

Proper protective safety gear must be worn while installing and operating the pump.

For best performance and life, the pump should be installed in the vertical position. This will prevent side loading on the air piston seals. The pump will, however, function in any position.

The pump will attach to the mounting location using (4) 3/8" bolts. There are 4 holes provided on each pump for mounting.

WARNING

Always bolt the pump to a substantially solid surface using the slotted holes provided.

CAUTION

ASL Pumps have a maximum sound level of 75 dBA. Wear hearing protection while working with or near the pump.



Section 6.1 Compressed Air Supply

NOTICE

Unless otherwise noted, all air line accessories for the pump air drive should have, at minimum, a 1/2" FNPT connection. The tubing/piping used to connect the components should have the maximum ID the pressure rating will allow. Reducing the size before the air inlet will reduce air pressure flow and reduce flow rate of the pump.

The main air drive connection port on the pump is a female 1/2" FNPT and is located in the spool valve housing. An additional female 1/8" FNPT air pilot valve connection port is located in the top end cap at the opposite side of the 1/2" NPT air inlet.

This pilot connection must be plumbed to an unregulated filtered air source. The purpose of this connection is to aid in low pressure differential start-up and restart of the pump while providing a more accurate pressure control. The pump will not function if this unregulated air supply is not connected to the pilot valve port.

The pump is assembled at the factory using permanent synthetic grease in the air drive moving parts.

NOTICE

The use of an air line lubricator is not required and is not recommended. The oil in the air lubricator will cause the factory installed grease to be purged from the pump. Once an air lubricator is used the pump can never again be operated without an air lubricator.

An air line filter with a minimum 5 microns filtration rating must be used on the supply line. If the air supply is not dry, a mist separator must be used to remove moisture in the air line.

The pump is designed to function from 15 psi to 150 psi (1 to 10 bar) air input pressure.



Section 6.2 Liquid Section

All ASL series pumps have a high pressure liquid outlet port located on the side of the pump head. The suction inlet port on all ASL series pumps is positioned either at the bottom or side of the head depending on the model purchased. See order code details in the product literature for catalog number suffix.

Inlet: A liquid filter with at least a 100 mesh size must be installed before the suction port inlet to prevent damage to the check valves and high pressure seals due to debris.

NOTICE

Unless otherwise noted, all air line accessories for the pump air drive should have, at minimum, a 1/2" FNPT connection. The tubing/piping used to connect the components should have the maximum ID the pressure rating will allow. Reducing the size before the air inlet will reduce air pressure flow and reduce flow rate of the pump.

The tubing or piping should be made from a corrosion resistant material and sized with a maximum ID to fit the 1/2" pipe connections.

NOTICE

Restricting flow at the liquid inlet will cause problems with check valve performance and reduce output flow.

Outlet: The outlet tubing ID must, at minimum, match the same size of the pump check valve gland port. Refer to product literature for outlet connections details for each pump. Reducing outlet tubing or connection will reduce output liquid flow capacity.

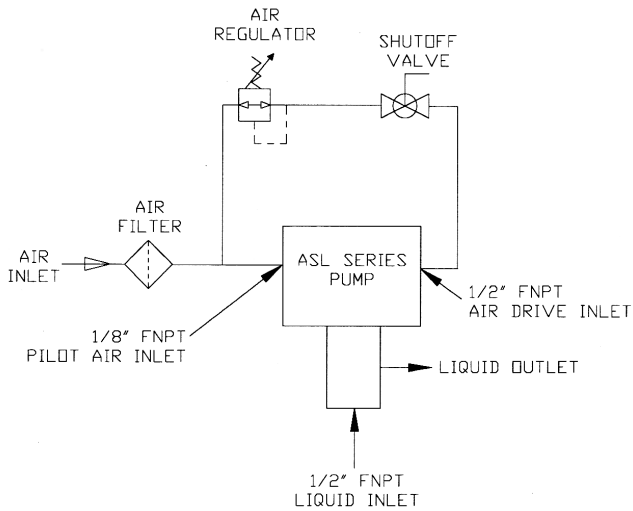
WARNING

The high pressure tubing must be rated to at least the maximum pump output pressure.

WARNING

Verify liquid pressure system is protected with an over pressure relief device.

Section 7.0 Pump Start-Up



Air Line Schematic

As shown above, a filtered main air supply line is required. The filtered air supply will go to a pressure regulator which can be set to achieve the desired output liquid pressure according to the pressure ratio of the pump.

! WARNING

Use an air pressure regulator to assure maximum air drive pressure listed on the pump label is not exceeded. An air pressure regulator must also be used to assure the pump will not exceed maximum liquid output pressure listed on the pump label.

! WARNING

The pump and high pressure liquid system must be vented prior to installation and start-up.

The pumps unique design allows for self priming. To prime, regulate the air pressure to between 15 psi (1 bar) or lower or use an air flow regulator to reduce to a slow stroke frequency.

With the high pressure side connected to a vented system, allow the pump to cycle until a consistent flow of liquid is achieved. Let the pump flow freely to purge any air in the liquid system. Loosening the outlet gland or pipe can also assist in priming the pump.

! WARNING

Be sure to securely tighten high pressure tube, pipe or gland with the appropriate torque after the priming has been achieved.

Reference Tools, Installation, Operation and Maintenance Manual for tube gland torque value.

Increase the air pressure using the air pressure regulator until you achieve your desired output liquid pressure. At this point the pump will stall. You can calculate the output pressure by multiplying the input air supply by the actual pressure ratio of the pump. The pump will automatically restart if there is a drop in downstream high pressure.

! WARNING

DO NOT exceed the maximum liquid pressure and temperature rating specified on the assembly drawing and label for your pump.

It is recommended to use a liquid relief valve or rupture disk to prevent over pressurization of your high pressure system.

DO NOT exceed the maximum air drive pressure listed on your pump label.



Section 8.0 Process Media

Parker Autoclave Engineers pumps discussed in this manual are used for pumping oil, water and oil/water mixtures. Special seals are also available for chemical service. Please contact Parker Autoclave Engineers to discuss availability of special seals.

WARNING

While testing has shown o-rings to provide satisfactory service life, actual life will vary widely with differing service conditions, properties of reactants, pressure and temperature cycling and age of the o-ring.

FREQUENT INSPECTIONS SHOULD BE MADE to detect any deterioration and o-rings replaced as required.

WARNING

The user is required to verify material compatibility with fluid based on corrosion resistance. A material list is provided on the assembly drawing to aid you in the evaluation.

Pumps are not designed to run for long periods of time without liquid process media. Short, dry pumping cycles should not be a cause for concern. However, pumps are built using lubricant in the seal areas and **pumping without fluid will wear away lubricant and compromise the seal.**

The operating temperatures of the pump are between 0°F to 140°F (18°F to 60°F).

Section 9.0 Pump Functionality

When the pump is installed, maximum system air is connected to 1/8" FNPT pilot air inlet and is sealed off by pilot valve assembly in the top end cap and does not enter the spool housing. Regulated air is connected to the spool housing at the 1/2" FNPT pump inlet.

1. Regulated inlet air pressure enters spool housing and moves spool to the left directing air into large pressure tube to the bottom end cap pushing the air piston and liquid plunger upward.
2. The upward movement causes a suction of liquid into the high pressure pump head while inlet check valve is open and outlet check valve is closed.
3. The air piston continues to move up until it hits the pilot valve assembly in the top end cap.
4. The top pilot valve opens allowing max system air pressure to shift the spool valve so that it now directs air drive pressure through the top end cap and pushes the air piston and liquid plunger downward.
5. The plunger action moving down compresses the fluid on the high pressure pump head while the inlet check valve is closed and outlet check valve is open.
6. While the air drive pressure is acting on top of the piston, the bottom area of the piston is vented through the exhaust muffler.
7. Piston continues to move down until it hits the pilot valve assembly in the bottom end cap.
8. The bottom pilot opens which vents max system air pressure from the large diameter side of the spool.
9. This causes spool to move to the left, while air is vented from the top end of the air cylinder through the exhaust muffler.
10. The entire process starts again at step one until the maximum outlet hydraulic pressure is reached based on the pressure ratio of the pump.



Section 10.0 Suggested Maintenance

WARNING

All pumps must be inspected periodically in order to assure proper and safe operating condition. Failure to inspect pump can result in serious and catastrophic harm to personnel and the surrounding facility.

WARNING

Before attempting to disassemble the pump or loosen fittings in a pressure system, be sure that liquid pressure has been totally vented.

WARNING

Before attempting to perform maintenance on the pump, assure that air supply pressure is shut off and vented from the pump.

- A. Before each pump use, a quick inspection should be performed to insure there are no loose bolts, nuts, set screws or check valve glands. Tighten any loose bolts and fittings according to the torque values listed on the pump assembly drawing. A visual inspection should also be made before each use and at startup to make sure there is no evidence of fluid leaks from isolation chamber drain ports, check valves connections and muffler. If liquid mists out of the muffler for more than 5 strokes, it is time to replace your hydraulic high pressure seals. Refer to the troubleshooting guide for solutions to these fluid leaks.
- B. The maintenance schedule of the pump depends on the frequency of use, cleanliness of media, type of media, cycle rates, output pressures, cleanliness of air or any other conditions that may be damaging to seal integrity. Once a clear pattern develops of how long a pump is in service before pump performance declines, it is recommended to perform maintenance in advance of this time frame. At minimum, perform maintenance on the pump once a year as described below.

Maintenance would include:

- Re-lubrication or replacement of spool valve o-ring
 - Re-lubrication or replacement of air drive seals
 - Re-lubrication or replacement of pilot valve o-rings and gaskets
 - Replace check valve components
 - Replace high pressure hydraulic seals
- C. Maintenance instructions are supplied with appropriate rebuild kits. Kit part numbers are listed on the assembly drawing.

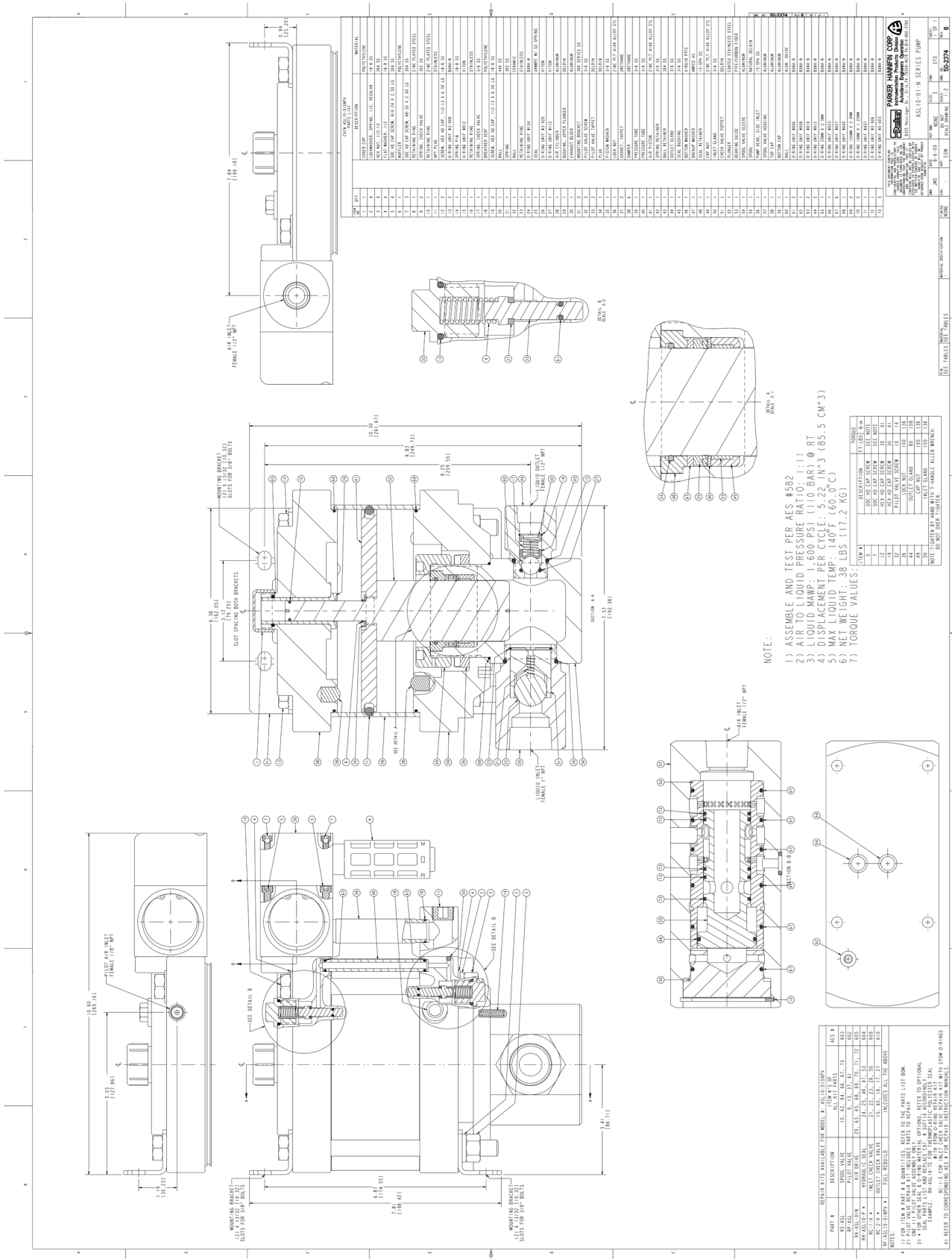


Section 11.0 ASL Series Repair Kit Options

Pump Model Number	O-Ring Material	Spool Valve Kit	Pilot Valve Kit	Air Drive Kit	Hydraulic Seal Upper	Inlet Check Valve Kit	Outlet Check Valve w/ Seal	Full Rebuild Kit
ASL10-01SNPV	FKM	RS-ASL	RP-ASL	RA-ASL-01N	RH-ASL10-PV	RC-1-V	RC-2-V	RF-ASL10-01NPV
ASL25-01SNPV	FKM	RS-ASL	RP-ASL	RA-ASL-01N	RH-ASL25-PV	RC-2-V	RC-2-V	RF-ASL25-01NPV
ASL35-01SNPV	FKM	RS-ASL	RP-ASL	RA-ASL-01N	RH-ASL35-PV	RC-2-V	RC-2-V	RF-ASL35-01NPV
ASL60-01SNP	None	RS-ASL	RP-ASL	RA-ASL-01N	RH-ASL60-P	RC-3	RC-4	RF-ASL60-01NP
ASL100-01SNP	None	RS-ASL	RP-ASL	RA-ASL-01N	RH-ASL100-P	RC-3	RC-4	RF-ASL100-01NP
ASL150-01SNP	None	RS-ASL	RP-ASL	RA-ASL-01N	RH-ASL150-P	RC-5	RC-6	RF-ASL150-01NP
ASL250-01SNP	None	RS-ASL	RP-ASL	RA-ASL-01N	RH-ASL250-P	RC-5	RC-6	RF-ASL250-01NP
ASL400-01SNP	None	RS-ASL	RP-ASL	RA-ASL-01N	RH-ASL400-P	RC-7	RC-8	RF-ASL400-01NP
ASL35-02SNPV	FKM	RS-ASL	RP-ASL	RA-ASL-02N	RH-ASL35-PV	RC-11-V	RC-11-V	RF-ASL35-02NPV
ASL60-02SNP	None	RS-ASL	RP-ASL	RA-ASL-02N	RH-ASL60-P	RC-3	RC-4	RF-ASL60-02NP
ASL100-02SNP	None	RS-ASL	RP-ASL	RA-ASL-02N	RH-ASL100-P	RC-5	RC-6	RF-ASL100-02SNP
ASL150-02SNP	None	RS-ASL	RP-ASL	RA-ASL-02N	RH-ASL150-P	RC-5	RC-6	RF-ASL150-02SNP
ASL400-02SCP	None	RS-ASL	RP-ASL	RA-ASL-02C	RH-ASL400-P	RC-7	RC-8	RF-ASL400-02SCP



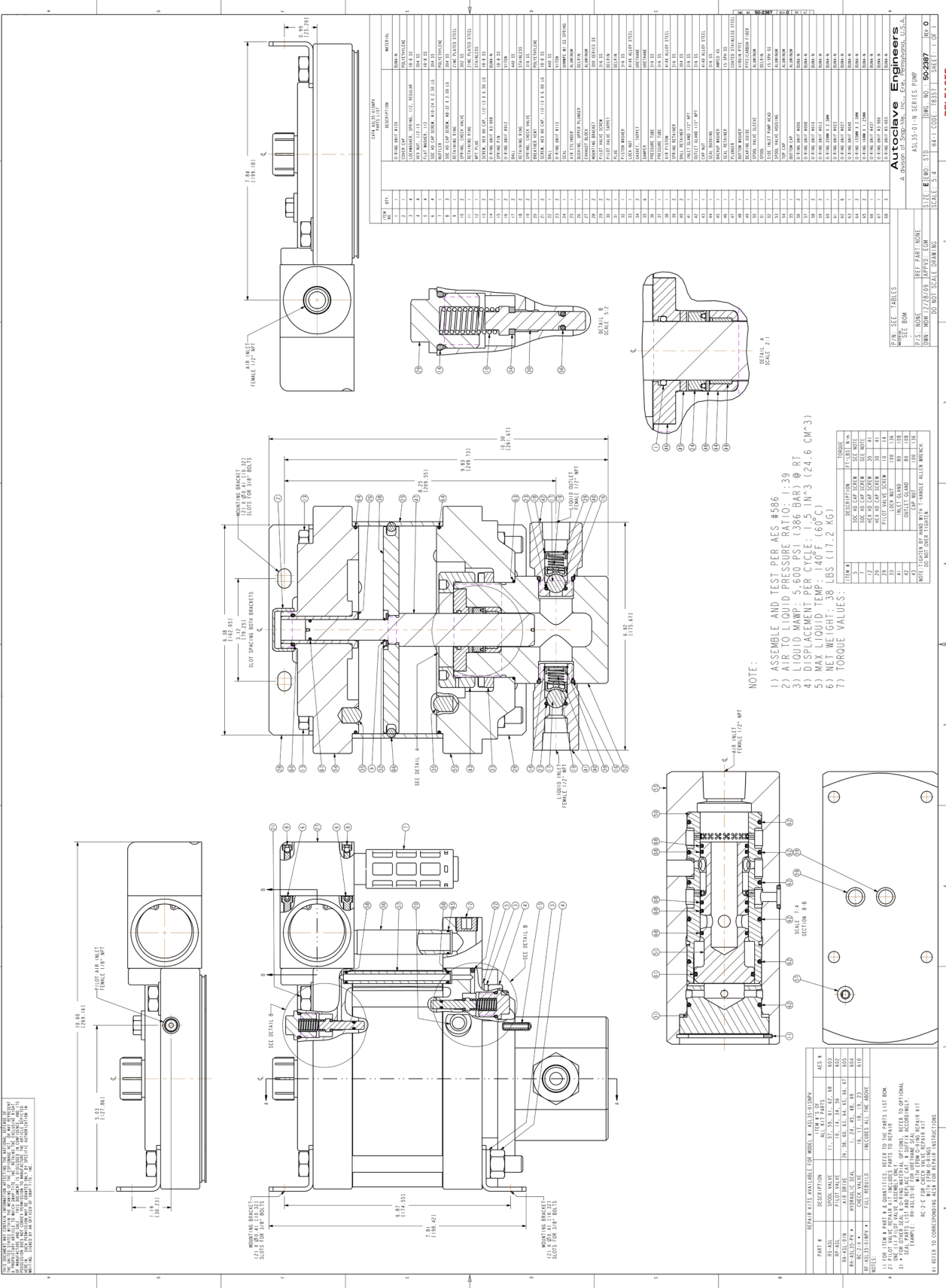
Section 12.0 ASL10-01-N Series Pump Drawing



RELEASED



Section 12.0 ASL35-01-N Series Pump Drawing

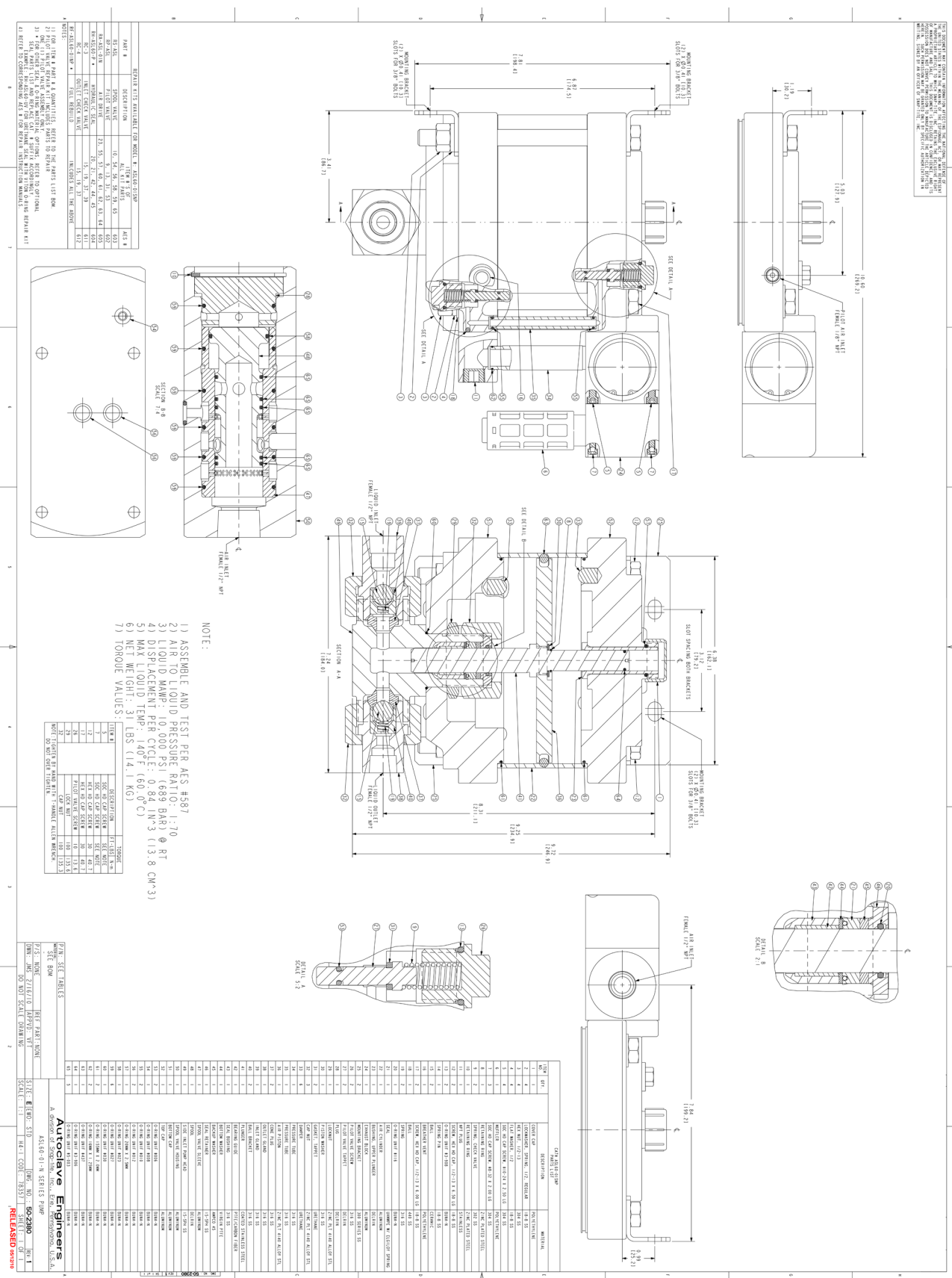


Autocast Engineers
 4835-01-N SERIES PUMP
 DWG. NO. 50-2987
 SHEET 1 OF 1

RELEASED

Section 12.0 ASL60-01-N Series Pump Drawing

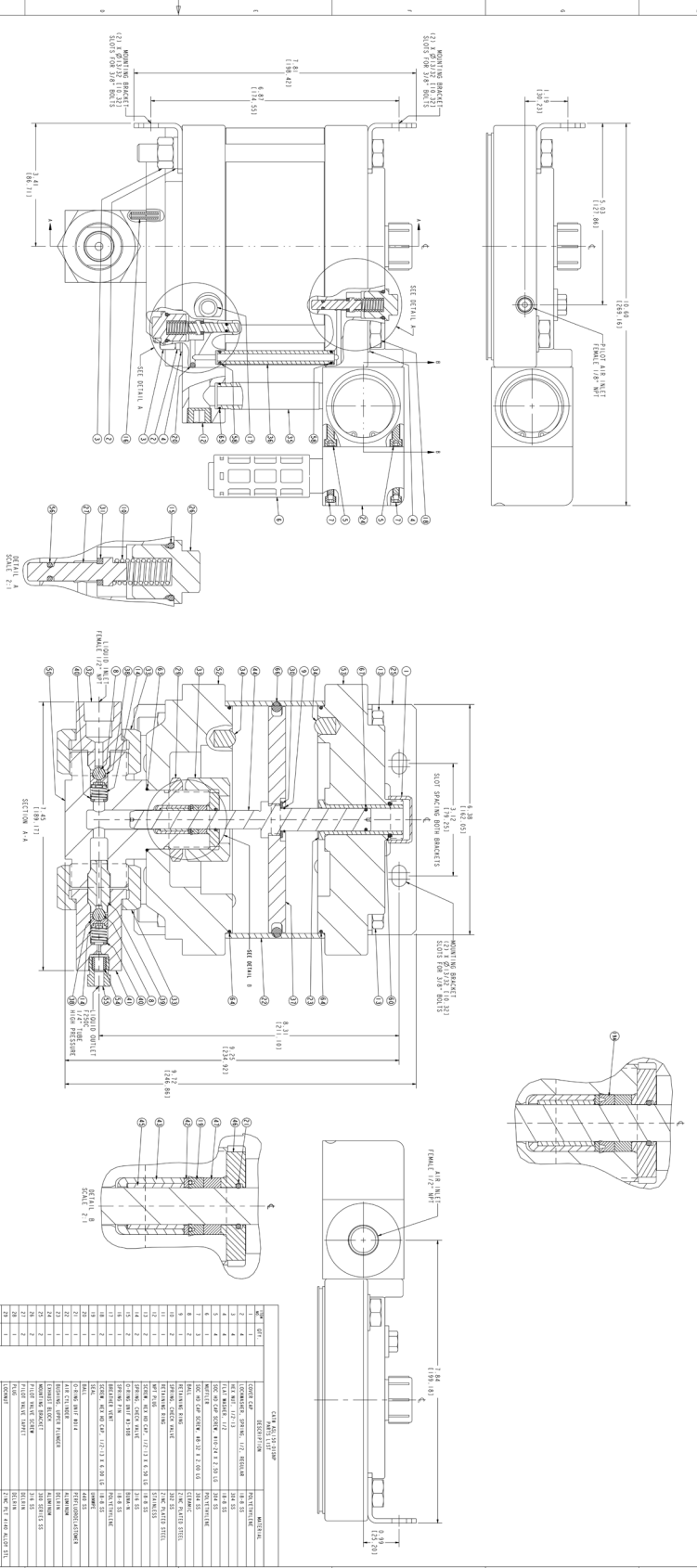
THIS DOCUMENT AND ALL INFORMATION CONTAINED HEREIN ARE UNCLASSIFIED EXCEPT WHERE SHOWN OTHERWISE. UNCLASSIFIED INFORMATION IS NOT TO BE RELEASED TO THE PUBLIC OR TO ANY OTHER ENTITY WITHOUT THE EXPRESS WRITTEN PERMISSION OF AUTOCALVE ENGINEERS, INC. THIS DOCUMENT IS THE PROPERTY OF AUTOCALVE ENGINEERS, INC. AND IS TO BE KEPT IN CONFIDENTIALITY. IT IS TO BE DESTROYED UPON THE WRITTEN REQUEST OF THE USER.



PART #	DESCRIPTION	QTY	ASL 4
1	ASSEMBLY	1	ASL 4
2	FLANGE B	1	ASL 4
3	FLANGE A	1	ASL 4
4	FLANGE C	1	ASL 4
5	FLANGE D	1	ASL 4
6	FLANGE E	1	ASL 4
7	FLANGE F	1	ASL 4
8	FLANGE G	1	ASL 4
9	FLANGE H	1	ASL 4
10	FLANGE I	1	ASL 4
11	FLANGE J	1	ASL 4
12	FLANGE K	1	ASL 4
13	FLANGE L	1	ASL 4
14	FLANGE M	1	ASL 4
15	FLANGE N	1	ASL 4
16	FLANGE O	1	ASL 4
17	FLANGE P	1	ASL 4
18	FLANGE Q	1	ASL 4
19	FLANGE R	1	ASL 4
20	FLANGE S	1	ASL 4
21	FLANGE T	1	ASL 4
22	FLANGE U	1	ASL 4
23	FLANGE V	1	ASL 4
24	FLANGE W	1	ASL 4
25	FLANGE X	1	ASL 4
26	FLANGE Y	1	ASL 4
27	FLANGE Z	1	ASL 4
28	FLANGE AA	1	ASL 4
29	FLANGE AB	1	ASL 4
30	FLANGE AC	1	ASL 4
31	FLANGE AD	1	ASL 4
32	FLANGE AE	1	ASL 4
33	FLANGE AF	1	ASL 4
34	FLANGE AG	1	ASL 4
35	FLANGE AH	1	ASL 4
36	FLANGE AI	1	ASL 4
37	FLANGE AJ	1	ASL 4
38	FLANGE AK	1	ASL 4
39	FLANGE AL	1	ASL 4
40	FLANGE AM	1	ASL 4
41	FLANGE AN	1	ASL 4
42	FLANGE AO	1	ASL 4
43	FLANGE AP	1	ASL 4
44	FLANGE AQ	1	ASL 4
45	FLANGE AR	1	ASL 4
46	FLANGE AS	1	ASL 4
47	FLANGE AT	1	ASL 4
48	FLANGE AU	1	ASL 4
49	FLANGE AV	1	ASL 4
50	FLANGE AW	1	ASL 4
51	FLANGE AX	1	ASL 4
52	FLANGE AY	1	ASL 4
53	FLANGE AZ	1	ASL 4
54	FLANGE BA	1	ASL 4
55	FLANGE BB	1	ASL 4
56	FLANGE BC	1	ASL 4
57	FLANGE BD	1	ASL 4
58	FLANGE BE	1	ASL 4
59	FLANGE BF	1	ASL 4
60	FLANGE BG	1	ASL 4
61	FLANGE BH	1	ASL 4
62	FLANGE BI	1	ASL 4
63	FLANGE BJ	1	ASL 4
64	FLANGE BK	1	ASL 4
65	FLANGE BL	1	ASL 4
66	FLANGE BM	1	ASL 4
67	FLANGE BN	1	ASL 4
68	FLANGE BO	1	ASL 4
69	FLANGE BP	1	ASL 4
70	FLANGE BQ	1	ASL 4
71	FLANGE BR	1	ASL 4
72	FLANGE BS	1	ASL 4
73	FLANGE BT	1	ASL 4
74	FLANGE BU	1	ASL 4
75	FLANGE BV	1	ASL 4
76	FLANGE BW	1	ASL 4
77	FLANGE BX	1	ASL 4
78	FLANGE BY	1	ASL 4
79	FLANGE BZ	1	ASL 4
80	FLANGE CA	1	ASL 4
81	FLANGE CB	1	ASL 4
82	FLANGE CC	1	ASL 4
83	FLANGE CD	1	ASL 4
84	FLANGE CE	1	ASL 4
85	FLANGE CF	1	ASL 4
86	FLANGE CG	1	ASL 4
87	FLANGE CH	1	ASL 4
88	FLANGE CI	1	ASL 4
89	FLANGE CJ	1	ASL 4
90	FLANGE CK	1	ASL 4
91	FLANGE CL	1	ASL 4
92	FLANGE CM	1	ASL 4
93	FLANGE CN	1	ASL 4
94	FLANGE CO	1	ASL 4
95	FLANGE CP	1	ASL 4
96	FLANGE CQ	1	ASL 4
97	FLANGE CR	1	ASL 4
98	FLANGE CS	1	ASL 4
99	FLANGE CT	1	ASL 4
100	FLANGE CU	1	ASL 4
101	FLANGE CV	1	ASL 4
102	FLANGE CW	1	ASL 4
103	FLANGE CX	1	ASL 4
104	FLANGE CY	1	ASL 4
105	FLANGE CZ	1	ASL 4
106	FLANGE DA	1	ASL 4
107	FLANGE DB	1	ASL 4
108	FLANGE DC	1	ASL 4
109	FLANGE DD	1	ASL 4
110	FLANGE DE	1	ASL 4
111	FLANGE DF	1	ASL 4
112	FLANGE DG	1	ASL 4
113	FLANGE DH	1	ASL 4
114	FLANGE DI	1	ASL 4
115	FLANGE DJ	1	ASL 4
116	FLANGE DK	1	ASL 4
117	FLANGE DL	1	ASL 4
118	FLANGE DM	1	ASL 4
119	FLANGE DN	1	ASL 4
120	FLANGE DO	1	ASL 4
121	FLANGE DP	1	ASL 4
122	FLANGE DQ	1	ASL 4
123	FLANGE DR	1	ASL 4
124	FLANGE DS	1	ASL 4
125	FLANGE DT	1	ASL 4
126	FLANGE DU	1	ASL 4
127	FLANGE DV	1	ASL 4
128	FLANGE DW	1	ASL 4
129	FLANGE DX	1	ASL 4
130	FLANGE DY	1	ASL 4
131	FLANGE DZ	1	ASL 4
132	FLANGE EA	1	ASL 4
133	FLANGE EB	1	ASL 4
134	FLANGE EC	1	ASL 4
135	FLANGE ED	1	ASL 4
136	FLANGE EE	1	ASL 4
137	FLANGE EF	1	ASL 4
138	FLANGE EG	1	ASL 4
139	FLANGE EH	1	ASL 4
140	FLANGE EI	1	ASL 4
141	FLANGE EJ	1	ASL 4
142	FLANGE EK	1	ASL 4
143	FLANGE EL	1	ASL 4
144	FLANGE EM	1	ASL 4
145	FLANGE EN	1	ASL 4
146	FLANGE EO	1	ASL 4
147	FLANGE EP	1	ASL 4
148	FLANGE EQ	1	ASL 4
149	FLANGE ER	1	ASL 4
150	FLANGE ES	1	ASL 4
151	FLANGE ET	1	ASL 4
152	FLANGE EU	1	ASL 4
153	FLANGE EV	1	ASL 4
154	FLANGE EW	1	ASL 4
155	FLANGE EX	1	ASL 4
156	FLANGE EY	1	ASL 4
157	FLANGE EZ	1	ASL 4
158	FLANGE FA	1	ASL 4
159	FLANGE FB	1	ASL 4
160	FLANGE FC	1	ASL 4
161	FLANGE FD	1	ASL 4
162	FLANGE FE	1	ASL 4
163	FLANGE FF	1	ASL 4
164	FLANGE FG	1	ASL 4
165	FLANGE FH	1	ASL 4
166	FLANGE FI	1	ASL 4
167	FLANGE FJ	1	ASL 4
168	FLANGE FK	1	ASL 4
169	FLANGE FL	1	ASL 4
170	FLANGE FM	1	ASL 4
171	FLANGE FN	1	ASL 4
172	FLANGE FO	1	ASL 4
173	FLANGE FP	1	ASL 4
174	FLANGE FQ	1	ASL 4
175	FLANGE FR	1	ASL 4
176	FLANGE FS	1	ASL 4
177	FLANGE FT	1	ASL 4
178	FLANGE FU	1	ASL 4
179	FLANGE FV	1	ASL 4
180	FLANGE FW	1	ASL 4
181	FLANGE FX	1	ASL 4
182	FLANGE FY	1	ASL 4
183	FLANGE FZ	1	ASL 4
184	FLANGE GA	1	ASL 4
185	FLANGE GB	1	ASL 4
186	FLANGE GC	1	ASL 4
187	FLANGE GD	1	ASL 4
188	FLANGE GE	1	ASL 4
189	FLANGE GF	1	ASL 4
190	FLANGE GG	1	ASL 4
191	FLANGE GH	1	ASL 4
192	FLANGE GI	1	ASL 4
193	FLANGE GJ	1	ASL 4
194	FLANGE GK	1	ASL 4
195	FLANGE GL	1	ASL 4
196	FLANGE GM	1	ASL 4
197	FLANGE GN	1	ASL 4
198	FLANGE GO	1	ASL 4
199	FLANGE GP	1	ASL 4
200	FLANGE GQ	1	ASL 4
201	FLANGE GR	1	ASL 4
202	FLANGE GS	1	ASL 4
203	FLANGE GT	1	ASL 4
204	FLANGE GU	1	ASL 4
205	FLANGE GV	1	ASL 4
206	FLANGE GW	1	ASL 4
207	FLANGE GX	1	ASL 4
208	FLANGE GY	1	ASL 4
209	FLANGE GZ	1	ASL 4
210	FLANGE HA	1	ASL 4
211	FLANGE HB	1	ASL 4
212	FLANGE HC	1	ASL 4
213	FLANGE HD	1	ASL 4
214	FLANGE HE	1	ASL 4
215	FLANGE HF	1	ASL 4
216	FLANGE HG	1	ASL 4
217	FLANGE HH	1	ASL 4
218	FLANGE HI	1	ASL 4
219	FLANGE HJ	1	ASL 4
220	FLANGE HK	1	ASL 4
221	FLANGE HL	1	ASL 4
222	FLANGE HM	1	ASL 4
223	FLANGE HN	1	ASL 4
224	FLANGE HO	1	ASL 4
225	FLANGE HP	1	ASL 4
226	FLANGE HQ	1	ASL 4
227	FLANGE HR	1	ASL 4
228	FLANGE HS	1	ASL 4
229	FLANGE HT	1	ASL 4
230	FLANGE HU	1	ASL 4
231	FLANGE HV	1	ASL 4
232	FLANGE HW	1	ASL 4
233	FLANGE HX	1	ASL 4
234	FLANGE HY	1	ASL 4
235	FLANGE HZ	1	ASL 4
236	FLANGE IA	1	ASL 4
237	FLANGE IB	1	ASL 4
238	FLANGE IC	1	ASL 4
239	FLANGE ID	1	ASL 4
240	FLANGE IE	1	ASL 4
241	FLANGE IF	1	ASL 4
242	FLANGE IG	1	ASL 4
243	FLANGE IH	1	ASL 4
244	FLANGE II	1	ASL 4
245	FLANGE IJ	1	ASL 4
246	FLANGE IK	1	ASL 4
247	FLANGE IL	1	ASL 4
248	FLANGE IM	1	ASL 4
249	FLANGE IN	1	ASL 4
250	FLANGE IO	1	ASL 4
251	FLANGE IP	1	ASL 4
252	FLANGE IQ	1	ASL 4
253	FLANGE IR	1	ASL 4
254	FLANGE IS	1	ASL 4
255	FLANGE IT	1	ASL 4
256	FLANGE IU	1	ASL 4
257	FLANGE IV	1	ASL 4
258	FLANGE IW	1	ASL 4
259	FLANGE IX	1	ASL 4
260	FLANGE IY	1	ASL 4
261	FLANGE IZ	1	ASL 4
262	FLANGE JA	1	ASL 4
263	FLANGE JB	1	ASL 4
264	FLANGE JC	1	ASL 4
265	FLANGE JD	1	ASL 4
266	FLANGE JE	1	ASL 4
267	FLANGE JF	1	ASL 4
268	FLANGE JG	1	ASL 4
269	FLANGE JH	1	ASL 4
270	FLANGE JI	1	ASL 4
271	FLANGE JJ	1	ASL 4
272	FLANGE JK	1	ASL 4
273	FLANGE JL	1	ASL 4
274	FLANGE JM	1	ASL 4
275	FLANGE JN	1	ASL 4
276	FLANGE JO	1	ASL 4
277	FLANGE JP	1	ASL 4
278	FLANGE JQ	1	ASL 4
279	FLANGE JR	1	ASL 4
280	FLANGE JS	1	ASL 4
281	FLANGE JT	1	ASL 4
282	FLANGE JU	1	ASL 4
283	FLANGE JV	1	ASL 4
284	FLANGE JW	1	ASL 4
285	FLANGE JX	1	ASL 4
286	FLANGE JY	1	ASL 4
287	FLANGE JZ	1	ASL 4

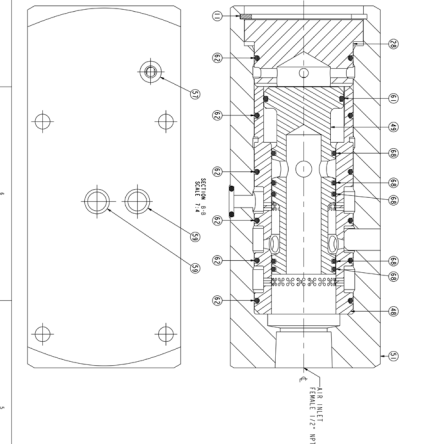
Section 12.0 ASL150-01-N Series Pump Drawing

THIS DRAWING IS THE PROPERTY OF AUTOCORP ENGINEERS, INC. IT IS TO BE USED ONLY FOR THE PROJECT AND PURPOSE SPECIFIED HEREIN. IT IS NOT TO BE REPRODUCED, COPIED, OR TRANSMITTED IN ANY FORM OR BY ANY MEANS, ELECTRONIC OR MECHANICAL, INCLUDING PHOTOCOPYING, RECORDING, OR BY ANY INFORMATION STORAGE AND RETRIEVAL SYSTEM, WITHOUT THE WRITTEN PERMISSION OF AUTOCORP ENGINEERS, INC. ALL RIGHTS ARE RESERVED.



REPLACE KEYS AND LOCKWASHER FROM MODEL R ASL150-01-NP

PART #	DESCRIPTION	QTY	ASL150-01-NP
1	ASSEMBLY	1	ASL150-01-NP
2	KEY	1	ASL150-01-NP
3	LOCKWASHER	1	ASL150-01-NP
4	WASHER	1	ASL150-01-NP
5	SCREW	1	ASL150-01-NP
6	SCREW	1	ASL150-01-NP
7	SCREW	1	ASL150-01-NP
8	SCREW	1	ASL150-01-NP
9	SCREW	1	ASL150-01-NP
10	SCREW	1	ASL150-01-NP
11	SCREW	1	ASL150-01-NP
12	SCREW	1	ASL150-01-NP
13	SCREW	1	ASL150-01-NP
14	SCREW	1	ASL150-01-NP
15	SCREW	1	ASL150-01-NP
16	SCREW	1	ASL150-01-NP
17	SCREW	1	ASL150-01-NP
18	SCREW	1	ASL150-01-NP
19	SCREW	1	ASL150-01-NP
20	SCREW	1	ASL150-01-NP
21	SCREW	1	ASL150-01-NP
22	SCREW	1	ASL150-01-NP
23	SCREW	1	ASL150-01-NP
24	SCREW	1	ASL150-01-NP
25	SCREW	1	ASL150-01-NP
26	SCREW	1	ASL150-01-NP
27	SCREW	1	ASL150-01-NP
28	SCREW	1	ASL150-01-NP
29	SCREW	1	ASL150-01-NP
30	SCREW	1	ASL150-01-NP
31	SCREW	1	ASL150-01-NP
32	SCREW	1	ASL150-01-NP
33	SCREW	1	ASL150-01-NP
34	SCREW	1	ASL150-01-NP
35	SCREW	1	ASL150-01-NP
36	SCREW	1	ASL150-01-NP
37	SCREW	1	ASL150-01-NP
38	SCREW	1	ASL150-01-NP
39	SCREW	1	ASL150-01-NP
40	SCREW	1	ASL150-01-NP
41	SCREW	1	ASL150-01-NP
42	SCREW	1	ASL150-01-NP
43	SCREW	1	ASL150-01-NP
44	SCREW	1	ASL150-01-NP
45	SCREW	1	ASL150-01-NP
46	SCREW	1	ASL150-01-NP
47	SCREW	1	ASL150-01-NP
48	SCREW	1	ASL150-01-NP
49	SCREW	1	ASL150-01-NP
50	SCREW	1	ASL150-01-NP
51	SCREW	1	ASL150-01-NP
52	SCREW	1	ASL150-01-NP
53	SCREW	1	ASL150-01-NP
54	SCREW	1	ASL150-01-NP
55	SCREW	1	ASL150-01-NP
56	SCREW	1	ASL150-01-NP
57	SCREW	1	ASL150-01-NP
58	SCREW	1	ASL150-01-NP
59	SCREW	1	ASL150-01-NP
60	SCREW	1	ASL150-01-NP
61	SCREW	1	ASL150-01-NP
62	SCREW	1	ASL150-01-NP
63	SCREW	1	ASL150-01-NP
64	SCREW	1	ASL150-01-NP
65	SCREW	1	ASL150-01-NP
66	SCREW	1	ASL150-01-NP
67	SCREW	1	ASL150-01-NP
68	SCREW	1	ASL150-01-NP
69	SCREW	1	ASL150-01-NP
70	SCREW	1	ASL150-01-NP
71	SCREW	1	ASL150-01-NP
72	SCREW	1	ASL150-01-NP
73	SCREW	1	ASL150-01-NP
74	SCREW	1	ASL150-01-NP
75	SCREW	1	ASL150-01-NP
76	SCREW	1	ASL150-01-NP
77	SCREW	1	ASL150-01-NP
78	SCREW	1	ASL150-01-NP
79	SCREW	1	ASL150-01-NP
80	SCREW	1	ASL150-01-NP
81	SCREW	1	ASL150-01-NP
82	SCREW	1	ASL150-01-NP
83	SCREW	1	ASL150-01-NP
84	SCREW	1	ASL150-01-NP
85	SCREW	1	ASL150-01-NP
86	SCREW	1	ASL150-01-NP
87	SCREW	1	ASL150-01-NP
88	SCREW	1	ASL150-01-NP
89	SCREW	1	ASL150-01-NP
90	SCREW	1	ASL150-01-NP
91	SCREW	1	ASL150-01-NP
92	SCREW	1	ASL150-01-NP
93	SCREW	1	ASL150-01-NP
94	SCREW	1	ASL150-01-NP
95	SCREW	1	ASL150-01-NP
96	SCREW	1	ASL150-01-NP
97	SCREW	1	ASL150-01-NP
98	SCREW	1	ASL150-01-NP
99	SCREW	1	ASL150-01-NP
100	SCREW	1	ASL150-01-NP



NOTE:

- 1) ASSEMBLE AND TEST PER AES #571
- 2) AIR TO LIQUID PRESSURE RATIO: 1 : 150
- 3) LIQUID MWP: 21,500 PSI (1,482 BAR) @ RT
- 4) DISPLACEMENT PER CYCLE: 0.39 IN³ (6.4 CM³)
- 5) MAX LIQUID TEMP: 140° (60.0°C)
- 6) NET WEIGHT: 32 LBS (14.5 KG)
- 7) TORQUE VALUES: SEE TABLE

TABLE 1: TORQUE VALUES

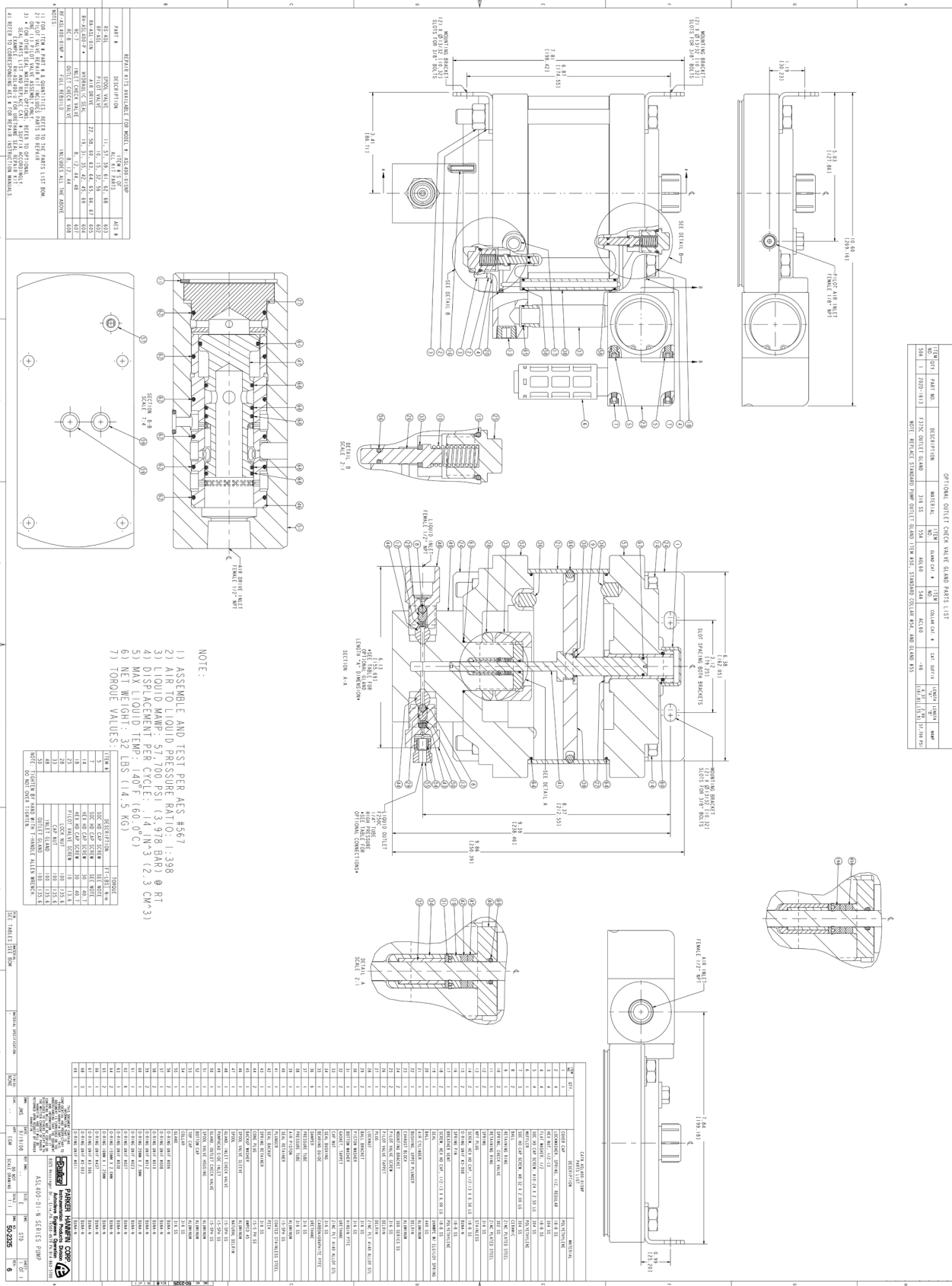
ITEM #	DESCRIPTION	TORQUE (IN-LB)	TORQUE (N-M)
1	ASSEMBLY	100	11.3
2	KEY	10	1.1
3	LOCKWASHER	10	1.1
4	WASHER	10	1.1
5	SCREW	10	1.1
6	SCREW	10	1.1
7	SCREW	10	1.1
8	SCREW	10	1.1
9	SCREW	10	1.1
10	SCREW	10	1.1
11	SCREW	10	1.1
12	SCREW	10	1.1
13	SCREW	10	1.1
14	SCREW	10	1.1
15	SCREW	10	1.1
16	SCREW	10	1.1
17	SCREW	10	1.1
18	SCREW	10	1.1
19	SCREW	10	1.1
20	SCREW	10	1.1
21	SCREW	10	1.1
22	SCREW	10	1.1
23	SCREW	10	1.1
24	SCREW	10	1.1
25	SCREW	10	1.1
26	SCREW	10	1.1
27	SCREW	10	1.1
28	SCREW	10	1.1
29	SCREW	10	1.1
30	SCREW	10	1.1
31	SCREW	10	1.1
32	SCREW	10	1.1
33	SCREW	10	1.1
34	SCREW	10	1.1
35	SCREW	10	1.1
36	SCREW	10	1.1
37	SCREW	10	1.1
38	SCREW	10	1.1
39	SCREW	10	1.1
40	SCREW	10	1.1
41	SCREW	10	1.1
42	SCREW	10	1.1
43	SCREW	10	1.1
44	SCREW	10	1.1
45	SCREW	10	1.1
46	SCREW	10	1.1
47	SCREW	10	1.1
48	SCREW	10	1.1
49	SCREW	10	1.1
50	SCREW	10	1.1
51	SCREW	10	1.1
52	SCREW	10	1.1
53	SCREW	10	1.1
54	SCREW	10	1.1
55	SCREW	10	1.1
56	SCREW	10	1.1
57	SCREW	10	1.1
58	SCREW	10	1.1
59	SCREW	10	1.1
60	SCREW	10	1.1
61	SCREW	10	1.1
62	SCREW	10	1.1
63	SCREW	10	1.1
64	SCREW	10	1.1
65	SCREW	10	1.1
66	SCREW	10	1.1
67	SCREW	10	1.1
68	SCREW	10	1.1
69	SCREW	10	1.1
70	SCREW	10	1.1
71	SCREW	10	1.1
72	SCREW	10	1.1
73	SCREW	10	1.1
74	SCREW	10	1.1
75	SCREW	10	1.1
76	SCREW	10	1.1
77	SCREW	10	1.1
78	SCREW	10	1.1
79	SCREW	10	1.1
80	SCREW	10	1.1
81	SCREW	10	1.1
82	SCREW	10	1.1
83	SCREW	10	1.1
84	SCREW	10	1.1
85	SCREW	10	1.1
86	SCREW	10	1.1
87	SCREW	10	1.1
88	SCREW	10	1.1
89	SCREW	10	1.1
90	SCREW	10	1.1
91	SCREW	10	1.1
92	SCREW	10	1.1
93	SCREW	10	1.1
94	SCREW	10	1.1
95	SCREW	10	1.1
96	SCREW	10	1.1
97	SCREW	10	1.1
98	SCREW	10	1.1
99	SCREW	10	1.1
100	SCREW	10	1.1

Autocorp Engineers, Inc.
 10000 W. 10th Ave., Suite 1000, Denver, CO 80202
 Phone: 303.751.1111 | Fax: 303.751.1112
 Website: www.autocorp.com



Section 12.0 ASL400-01-N Series Pump Drawing

ITEM NO.	QTY	PART NO.	DESCRIPTION	MATERIAL	QTY	QTY	QTY	QTY	QTY
1	1	200-1431	FLYING ORIFICE GEAR	316 SS	1	1	1	1	1
2	1	200-1432	FLYING ORIFICE GEAR	316 SS	1	1	1	1	1
3	1	200-1433	FLYING ORIFICE GEAR	316 SS	1	1	1	1	1
4	1	200-1434	FLYING ORIFICE GEAR	316 SS	1	1	1	1	1
5	1	200-1435	FLYING ORIFICE GEAR	316 SS	1	1	1	1	1
6	1	200-1436	FLYING ORIFICE GEAR	316 SS	1	1	1	1	1
7	1	200-1437	FLYING ORIFICE GEAR	316 SS	1	1	1	1	1
8	1	200-1438	FLYING ORIFICE GEAR	316 SS	1	1	1	1	1
9	1	200-1439	FLYING ORIFICE GEAR	316 SS	1	1	1	1	1
10	1	200-1440	FLYING ORIFICE GEAR	316 SS	1	1	1	1	1



ITEM NO.	QTY	PART NO.	DESCRIPTION	MATERIAL	QTY	QTY	QTY	QTY	QTY
1	1	200-1431	FLYING ORIFICE GEAR	316 SS	1	1	1	1	1
2	1	200-1432	FLYING ORIFICE GEAR	316 SS	1	1	1	1	1
3	1	200-1433	FLYING ORIFICE GEAR	316 SS	1	1	1	1	1
4	1	200-1434	FLYING ORIFICE GEAR	316 SS	1	1	1	1	1
5	1	200-1435	FLYING ORIFICE GEAR	316 SS	1	1	1	1	1
6	1	200-1436	FLYING ORIFICE GEAR	316 SS	1	1	1	1	1
7	1	200-1437	FLYING ORIFICE GEAR	316 SS	1	1	1	1	1
8	1	200-1438	FLYING ORIFICE GEAR	316 SS	1	1	1	1	1
9	1	200-1439	FLYING ORIFICE GEAR	316 SS	1	1	1	1	1
10	1	200-1440	FLYING ORIFICE GEAR	316 SS	1	1	1	1	1

- NOTE:**
- 1) ASSEMBLE AND TEST PER AES #567
 - 2) TO LOAD PRESSURE: 1.398
 - 3) LIQUID MAMP: 57700 PSI (3.978 BAR) @ RT
 - 4) DISPLACEMENT PER CYCLE: 1.4 IN³ (2.3 CM³)
 - 5) MAX LIQUID TEMP: 140°F (60.0°C)
 - 6) NET WEIGHT: 32 LBS (14.5 KG)
 - 7) TORQUE VALUES:

ITEM NO.	QTY	PART NO.	DESCRIPTION	MATERIAL	QTY	QTY	QTY	QTY	QTY
1	1	200-1431	FLYING ORIFICE GEAR	316 SS	1	1	1	1	1
2	1	200-1432	FLYING ORIFICE GEAR	316 SS	1	1	1	1	1
3	1	200-1433	FLYING ORIFICE GEAR	316 SS	1	1	1	1	1
4	1	200-1434	FLYING ORIFICE GEAR	316 SS	1	1	1	1	1
5	1	200-1435	FLYING ORIFICE GEAR	316 SS	1	1	1	1	1
6	1	200-1436	FLYING ORIFICE GEAR	316 SS	1	1	1	1	1
7	1	200-1437	FLYING ORIFICE GEAR	316 SS	1	1	1	1	1
8	1	200-1438	FLYING ORIFICE GEAR	316 SS	1	1	1	1	1
9	1	200-1439	FLYING ORIFICE GEAR	316 SS	1	1	1	1	1
10	1	200-1440	FLYING ORIFICE GEAR	316 SS	1	1	1	1	1

ITEM NO.	QTY	PART NO.	DESCRIPTION	MATERIAL	QTY	QTY	QTY	QTY	QTY
1	1	200-1431	FLYING ORIFICE GEAR	316 SS	1	1	1	1	1
2	1	200-1432	FLYING ORIFICE GEAR	316 SS	1	1	1	1	1
3	1	200-1433	FLYING ORIFICE GEAR	316 SS	1	1	1	1	1
4	1	200-1434	FLYING ORIFICE GEAR	316 SS	1	1	1	1	1
5	1	200-1435	FLYING ORIFICE GEAR	316 SS	1	1	1	1	1
6	1	200-1436	FLYING ORIFICE GEAR	316 SS	1	1	1	1	1
7	1	200-1437	FLYING ORIFICE GEAR	316 SS	1	1	1	1	1
8	1	200-1438	FLYING ORIFICE GEAR	316 SS	1	1	1	1	1
9	1	200-1439	FLYING ORIFICE GEAR	316 SS	1	1	1	1	1
10	1	200-1440	FLYING ORIFICE GEAR	316 SS	1	1	1	1	1

RELEASED



Section 12.0 ASL60-02-N Series Pump Drawing

THIS DRAWING IS THE PROPERTY OF AUTOCALVE ENGINEERS, INC. IT IS TO BE USED ONLY FOR THE PROJECT AND PURPOSE SPECIFIED HEREON. IT IS NOT TO BE REPRODUCED, COPIED, OR TRANSMITTED IN ANY FORM OR BY ANY MEANS, ELECTRONIC OR MECHANICAL, INCLUDING PHOTOCOPYING, RECORDING, OR BY ANY INFORMATION STORAGE AND RETRIEVAL SYSTEM, WITHOUT THE WRITTEN PERMISSION OF AUTOCALVE ENGINEERS, INC. ANY UNAUTHORIZED USE OF THIS DRAWING IS PROHIBITED AND WILL BE PROSECUTED TO THE FULL EXTENT OF THE LAW.

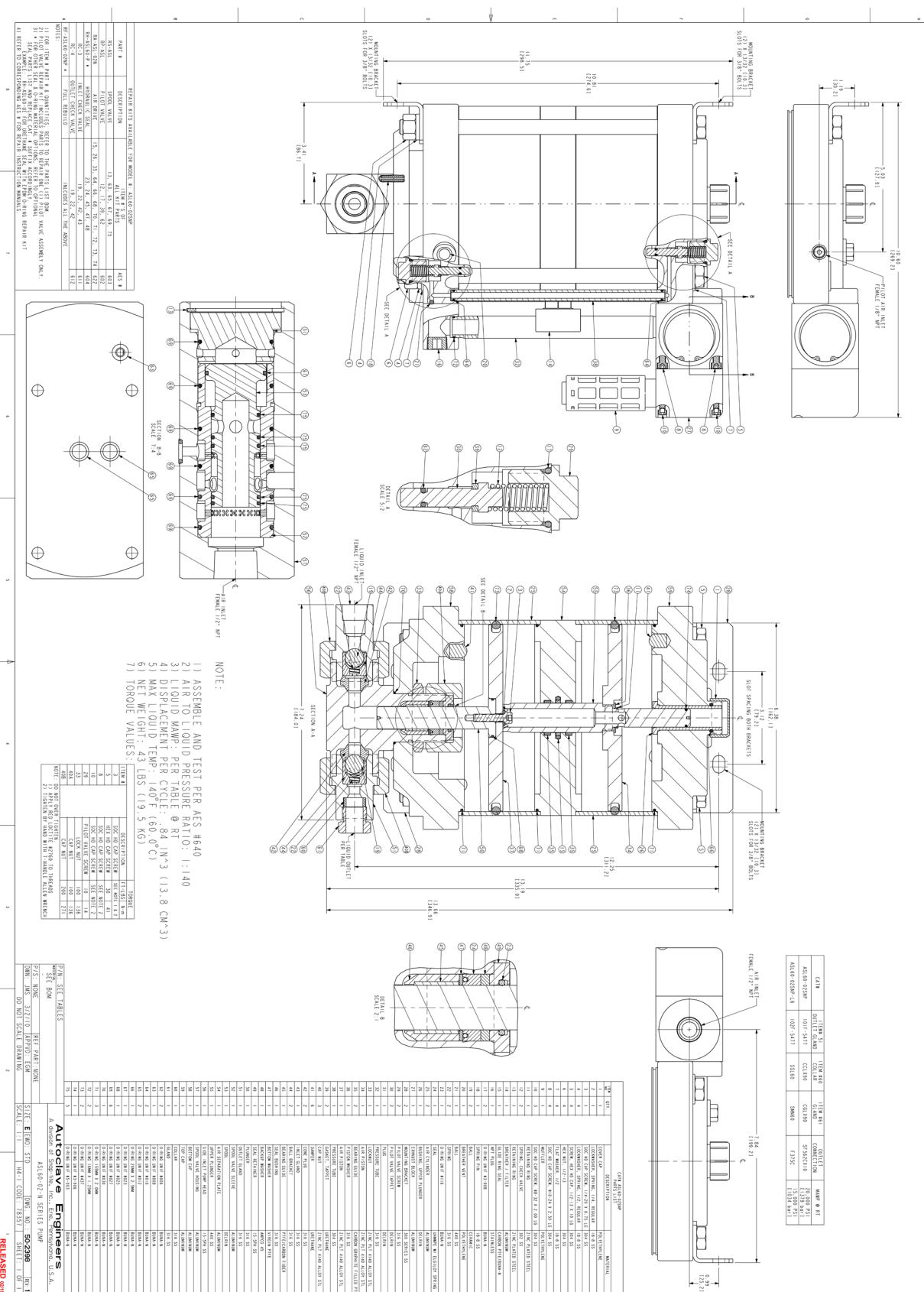


TABLE 1

SIZE	DISPLACEMENT	MAX. LIQUID VISCOSITY	MAX. LIQUID TEMPERATURE	MAX. LIQUID PRESSURE	MAX. AIR PRESSURE	MAX. AIR FLOW
1/2"	1.1	150	140	100	100	100
3/4"	1.5	150	140	100	100	100
1"	2.0	150	140	100	100	100
1 1/4"	2.5	150	140	100	100	100
1 1/2"	3.0	150	140	100	100	100
1 3/4"	3.5	150	140	100	100	100
2"	4.0	150	140	100	100	100
2 1/4"	4.5	150	140	100	100	100
2 1/2"	5.0	150	140	100	100	100
2 3/4"	5.5	150	140	100	100	100
3"	6.0	150	140	100	100	100
3 1/4"	6.5	150	140	100	100	100
3 1/2"	7.0	150	140	100	100	100
3 3/4"	7.5	150	140	100	100	100
4"	8.0	150	140	100	100	100
4 1/4"	8.5	150	140	100	100	100
4 1/2"	9.0	150	140	100	100	100
4 3/4"	9.5	150	140	100	100	100
5"	10.0	150	140	100	100	100
5 1/4"	10.5	150	140	100	100	100
5 1/2"	11.0	150	140	100	100	100
5 3/4"	11.5	150	140	100	100	100
6"	12.0	150	140	100	100	100
6 1/4"	12.5	150	140	100	100	100
6 1/2"	13.0	150	140	100	100	100
6 3/4"	13.5	150	140	100	100	100
7"	14.0	150	140	100	100	100
7 1/4"	14.5	150	140	100	100	100
7 1/2"	15.0	150	140	100	100	100
7 3/4"	15.5	150	140	100	100	100
8"	16.0	150	140	100	100	100
8 1/4"	16.5	150	140	100	100	100
8 1/2"	17.0	150	140	100	100	100
8 3/4"	17.5	150	140	100	100	100
9"	18.0	150	140	100	100	100
9 1/4"	18.5	150	140	100	100	100
9 1/2"	19.0	150	140	100	100	100
9 3/4"	19.5	150	140	100	100	100
10"	20.0	150	140	100	100	100

TABLE 2

SIZE	DISPLACEMENT	MAX. LIQUID VISCOSITY	MAX. LIQUID TEMPERATURE	MAX. LIQUID PRESSURE	MAX. AIR PRESSURE	MAX. AIR FLOW
1/2"	1.1	150	140	100	100	100
3/4"	1.5	150	140	100	100	100
1"	2.0	150	140	100	100	100
1 1/4"	2.5	150	140	100	100	100
1 1/2"	3.0	150	140	100	100	100
1 3/4"	3.5	150	140	100	100	100
2"	4.0	150	140	100	100	100
2 1/4"	4.5	150	140	100	100	100
2 1/2"	5.0	150	140	100	100	100
2 3/4"	5.5	150	140	100	100	100
3"	6.0	150	140	100	100	100
3 1/4"	6.5	150	140	100	100	100
3 1/2"	7.0	150	140	100	100	100
3 3/4"	7.5	150	140	100	100	100
4"	8.0	150	140	100	100	100
4 1/4"	8.5	150	140	100	100	100
4 1/2"	9.0	150	140	100	100	100
4 3/4"	9.5	150	140	100	100	100
5"	10.0	150	140	100	100	100
5 1/4"	10.5	150	140	100	100	100
5 1/2"	11.0	150	140	100	100	100
5 3/4"	11.5	150	140	100	100	100
6"	12.0	150	140	100	100	100
6 1/4"	12.5	150	140	100	100	100
6 1/2"	13.0	150	140	100	100	100
6 3/4"	13.5	150	140	100	100	100
7"	14.0	150	140	100	100	100
7 1/4"	14.5	150	140	100	100	100
7 1/2"	15.0	150	140	100	100	100
7 3/4"	15.5	150	140	100	100	100
8"	16.0	150	140	100	100	100
8 1/4"	16.5	150	140	100	100	100
8 1/2"	17.0	150	140	100	100	100
8 3/4"	17.5	150	140	100	100	100
9"	18.0	150	140	100	100	100
9 1/4"	18.5	150	140	100	100	100
9 1/2"	19.0	150	140	100	100	100
9 3/4"	19.5	150	140	100	100	100
10"	20.0	150	140	100	100	100

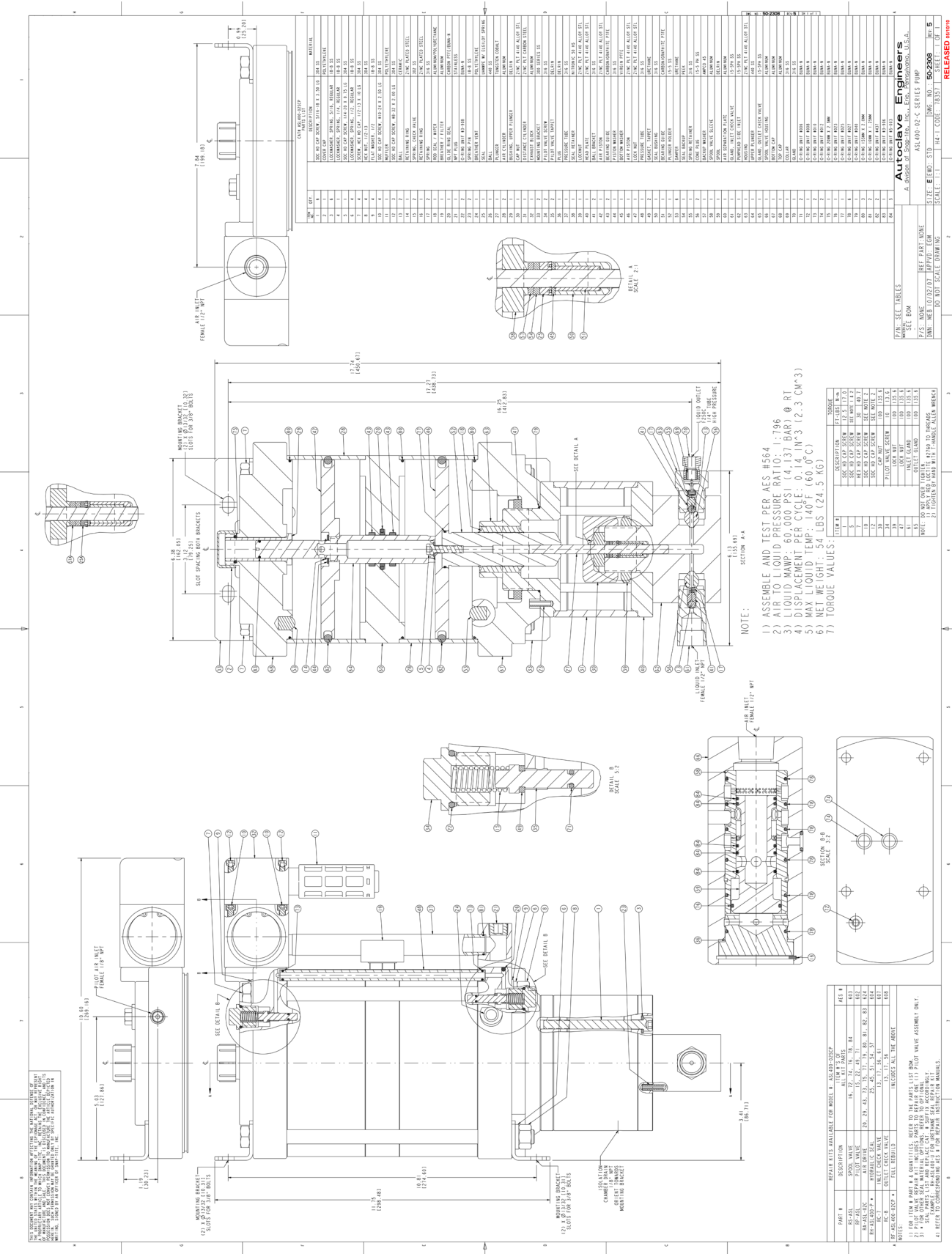
TABLE 3

SIZE	DISPLACEMENT	MAX. LIQUID VISCOSITY	MAX. LIQUID TEMPERATURE	MAX. LIQUID PRESSURE	MAX. AIR PRESSURE	MAX. AIR FLOW
1/2"	1.1	150	140	100	100	100
3/4"	1.5	150	140	100	100	100
1"	2.0	150	140	100	100	100
1 1/4"	2.5	150	140	100	100	100
1 1/2"	3.0	150	140	100	100	100
1 3/4"	3.5	150	140	100	100	100
2"	4.0	150	140	100	100	100
2 1/4"	4.5	150	140	100	100	100
2 1/2"	5.0	150	140	100	100	100
2 3/4"	5.5	150	140	100	100	100
3"	6.0	150	140	100	100	100
3 1/4"	6.5	150	140	100	100	100
3 1/2"	7.0	150	140	100	100	100
3 3/4"	7.5	150	140	100	100	100
4"	8.0	150	140	100	100	100
4 1/4"	8.5	150	140	100	100	100
4 1/2"	9.0	150	140	100	100	100
4 3/4"	9.5	150	140	100	100	100
5"	10.0	150	140	100	100	100
5 1/4"	10.5	150	140	100	100	100
5 1/2"	11.0	150	140	100	100	100
5 3/4"	11.5	150	140	100	100	100
6"	12.0	150	140	100	100	100
6 1/4"	12.5	150	140	100	100	100
6 1/2"	13.0	150	140	100	100	100
6 3/4"	13.5	150	140	100	100	100
7"	14.0	150	140	100	100	100
7 1/4"	14.5	150	140	100	100	100
7 1/2"	15.0	150	140	100	100	100
7 3/4"	15.5	150	140	100	100	100
8"	16.0	150	140	100	100	100
8 1/4"	16.5	150	140	100	100	100
8 1/2"	17.0	150	140	100	100	100
8 3/4"	17.5	150	140	100	100	100
9"	18.0	150	140	100	100	100
9 1/4"	18.5	150	140	100	100	100
9 1/2"	19.0	150	140	100	100	100
9 3/4"	19.5	150	140	100	100	100
10"	20.0	150	140	100	100	100

TABLE 4

SIZE	DISPLACEMENT	MAX. LIQUID VISCOSITY	MAX. LIQUID TEMPERATURE	MAX. LIQUID PRESSURE	MAX. AIR PRESSURE	MAX. AIR FLOW
1/2"	1.1	150	140	100	100	100
3/4"	1.5	150	140	100	100	100
1"	2.0	150	140	100	100	100
1 1/4"	2.5	150	140	100	100	100
1 1/2"	3.0	150	140	100	100	100
1 3/4"	3.5	150	140	100	100	100
2"	4.0	150	140	100	100	100
2 1/4"	4.5	150	140	100	100	100
2 1/2"	5.0	150	140	100	100	100
2 3/4"	5.5	150	140	100	100	100
3"	6.0	150	140	100	100	100
3 1/4"	6.5	150	140	100	100	100
3 1/2"	7.0	150	140	100	100	100
3 3/4"	7.5	150	140	100	100	100
4"	8.0	150	140	100	100	100
4 1/4"	8.5	150	140	100	100	100
4 1/2"	9.0	150	140	100	100	100
4 3/4"	9.5	150	140	100	100	100
5"	10.0	150	140	100	100	100
5 1/4"	10.5	150	140	100	100	100
5 1/2"	11.0	150	140	100	100	100
5 3/4"	11.5	150	140	100	100	100
6"	12.0	150	140	100	100	100
6 1/4"	12.5	150	140	100	100	100
6 1/2"	13.0	150	140	100	100	100
6 3/4"	13.5	150	140	100	100	100
7"	14.0	150	140	100	100	100
7 1/4"	14.5	150	140	100	100	100
7 1/2"	15.0	150	140	100	100	100
7 3/4"	15.5	150	140	100	100	100
8"	16.0	150	140	100	100	100
8 1/4"	16.5	150	140	100	100	100
8 1/2"	17.0	150	140	100		

Section 12.0 ASL400-02-N Series Pump Drawing



Autoclave Engineers
 A Division of 2500-106, INC., 6767 W. 106TH AVENUE, U.S.A.
 P/N: SEE TABLES
 REF PART NUM: ASL400-02-C SERIES PUMP
 P/S: NONE
 DWN: REV: 10/22/07 (REV) - COM
 SCALE: 1:1
 SHEET CODE: 7851
 DWG. NO.: 50-2300
 REV. 6
 RELEASED

Troubleshooting

Section 13.0

Troubleshooting - Pneumatic Section

Problem: Pump will not operate with low air pressure.

Cause: Excessive friction of o-rings on the spool valve has increased the pressure required to move spool.

Solution: Replace and lubricate the o-rings on spool

Problem: Pump can only be actuated at high air pressure.

Cause:

- Air is leaking through the piston guide bushing in the top end cap.
- Air is leaking through the o-rings between the top end cap and air cylinder.

Solution:

- Replace and lubricate o-rings on upper plunger and between bushing and top cap.
- Replace and lubricate o-ring on lip of top end cap.

Problem: Pump will not run and air escaped through the exhaust muffler.

Cause:

- Spool valve o-rings are leaking.
- Spool sleeve o-rings are leaking.
- Outside o-ring(s) on air piston(s) is leaking.
- Seal between air piston and liquid plunger is leaking.

Solution:

- Replace and lubricate spool valve o-rings.
- Replace and lubricate sleeve o-rings.
- Replace and lubricate air piston o-ring(s).
- Replace o-ring on bottom plunger (two piece plunger designs), or add Loctite 2760 thread locker with sealant on plunger threads (one piece plunger designs).

Problem: Pump will not run and air escapes through the small hole in the spool valve housing.

Cause: Spool valve sleeve o-rings are leaking.

Solution: Replace and lubricate spool valve o-rings.

Problem: Pump will not run and air escapes through the pilot valve vent in the bottom end cap.

Cause: Pilot valve gasket or o-ring is not sealing in the bottom cap.

Solution: Replace and lubricate pilot valve gasket and o-ring. If necessary, also replace the tappet rod.

Problem: Pump operates at a high frequency and short strokes.

Cause: The top or bottom pilot valves are defective.

Solution: Replace and lubricate both pilot valve gaskets and o-rings. If necessary also replace the tappet rods.

Problem: Pump will not run and air flows out of the separation plate vent (double stage pump only).

Cause: The rod seal in the separation plate is leaking.

Solution: Replace and lubricate rod seal assembly.

Problem: Pump functions slowly or doesn't operate at all.

Cause:

- Condensation from air supply is freezing the spool valve.
- Air muffler is clogged.

Solution:

- Stop pump for a short period and replace or add a mist separator in the air line.
- Clean or replace air muffler.



Section 14.0

Troubleshooting - High Pressure, Liquid Section

Problem: Pump does not produce liquid flow, operates irregularly or does not maintain pressure.

- Cause:**
- a) Air in the hydraulic system.
 - b) Suction line excessively long.
 - c) Suction tubing sized too small.
 - d) Failure of one of the check valves.
 - e) Liquid inlet filter is blocked.
 - f) High pressure seal excessively worn.

- Solution:**
- a) Check inlet suction line and connections for leaks and allow pump to flow freely downstream so as to remove any air.
 - b) Shorten liquid supply line.
 - c) Increase tubing ID size between reservoir and pump inlet.
 - d) Clean or replace both inlet and outlet check valve assemblies.
 - e) Clean or replace liquid inlet filter.
 - f) Replace high pressure seal assembly.

Problem: Fluid escapes through the air exhaust (non-isolation chamber version only).

Cause: High pressure seal is leaking.

- Solution:**
- a) Clean fluid from air section.
 - b) Replace and lubricate o-rings as necessary in the air section.
 - c) Replace high pressure seal.

Section 15.0

Service

Parker Autoclave Engineers now require all pump repair be sent to an authorized repair facility. Contact Parker Autoclave Engineers for recommendations.

Pumps returned for service should be accompanied with the model number, serial number, manufacture date and problems you are experiencing.

WARNING

Use only originally specified parts when installing or maintaining high-pressure equipment and follow all Parker Autoclave Engineers maintenance and assembly procedures. Do not use any parts from other equipment to make repairs or modifications. Contact Parker Autoclave Engineers with any questions or if sufficient information to complete the installation, maintenance and operation of the equipment has not been included.



Parker's Motion & Control Technologies

At Parker, we're guided by a relentless drive to help our customers become more productive and achieve higher levels of profitability by engineering the best systems for their requirements. It means looking at customer applications from many angles to find new ways to create value. Whatever the motion and control technology need, Parker has the experience, breadth of product and global reach to consistently deliver. No company knows more about motion and control technology than Parker. For further information call 1-800-C-Parker.

MARKET	KEY MARKETS		KEY PRODUCTS	
 AEROSPACE	Aircraft Engines Commercial Transports Military Aircraft Regional Transports	Business and General Aviation Land-Based Weapons Systems Missiles and Launch Vehicles Unmanned Aerial Vehicles	Flight Control Systems & Components Fluid Conveyance Systems Fluid Metering Delivery & Atomization Devices Fuel Systems & Components	Hydraulic Systems & Components Inert Nitrogen Generating Systems Pneumatic Systems & Components Wheels & Brakes
 CLIMATE CONTROL	Agriculture Food, Beverage and Dairy Precision Cooling Transportation	Air Conditioning Life Sciences & Medical Processing	Co2 Controls Electronic Controllers Filter Driers Hand Shut-Off Valves Hose & Fittings	Pressure Regulating Valves Refrigerant Distributors Safety Relief Valves Solenoid Valves Thermostatic Expansion Valves
 ELECTRO-MECHANICAL	Aerospace Life Science & Medical Packaging Machinery Plastics Machinery & Converting Semiconductor & Electronics Factory Automation	Machine Tools Paper Machinery Primary Metals Textile Wire & Cable	AC/DC Drives & Systems Electric Actuators, Gantry Robots & Slides Electrohydrostatic Actuation Systems Electromechanical Actuation Systems Human Machine Interface	Linear Motors Stepper Motors, Servo Motors Drives & Controls Structural Extrusions
 FILTRATION	Food & Beverage Life Sciences Mobile Equipment Power Generation Transportation	Industrial Machinery Marine Oil & Gas Process	Analytical Gas Generators Compressed Air & Gas Filters Condition Monitoring Engine Air, Fuel & Oil Filtration & Systems	Hydraulic, Lubrication & Coolant Filters Process, Chemical, Water Microfiltration Filters Nitrogen, Hydrogen & Zero Air Generators
 FLUID and GAS HANDLING	Aerospace Agriculture Bulk Chemical Handling Construction Machinery Food & Beverage Fuel & Gas Delivery	Industrial Machinery Mobile Oil & Gas Transportation Welding	Brass Fittings & Valves Diagnostic Equipment Fluid Conveyance Systems Industrial Hose	PTFE & PFA Hose, Tubing & Plastic Fittings Rubber & Thermoplastic Hose & Couplings Tube Fittings & Adapters Quick Disconnects
 HYDRAULICS	Aerospace Aerial lift Agriculture Construction Machinery Forestry	Industrial Machinery Mining Oil & Gas Power Generation & Energy Truck Hydraulics	Diagnostic Equipment Hydraulic Cylinders & Accumulators Hydraulic Motors & Pumps Hydraulic Systems Hydraulic Valves & Controls	Power Take-Offs Rubber & Thermoplastic Hose & Couplings Tube Fittings & Adapters Quick Disconnects
 PNEUMATICS	Aerospace Conveyor & Material Handling Factory Automation Life Science & Medical	Machine Tools Packaging Machinery Transportation & Automotive	Air Preparation Brass Fittings & Valves Manifolds Pneumatic Accessories Pneumatic Actuators & Grippers Pneumatic Valves & Controls	Quick Disconnects Rotary Actuators Rubber & Thermoplastic Hose & Couplings Structural Extrusions Thermoplastic Tubing & Fittings Vacuum Generators, Cups & Sensors
 PROCESS CONTROL	Chemical & Refining Food, Beverage & Dairy Medical & Dental	Microelectronics Oil & Gas Power Generation	Analytical Sample Conditioning Products & Systems Fluoropolymer Chemical Delivery Fittings, Valves & Pumps High Purity Gas Delivery Fittings, & Valves & Regulators	Instrumentation Fittings, Valves Regulators Medium Pressure Fittings & Valves Process Control Manifolds
 SEALING and SHIELDING	Aerospace Chemical Processing Consumer Energy, Oil & Gas Fluid Power General Industrial	Information Technology Life Sciences Military Semiconductor Transportation	Dynamic Seals Elastomeric O-Rings Emi Shielding Extruded & Precision-Cut, Fabricated Elastomeric Seals	Homogeneous & Inserted Elastomeric Shapes High Temperature Metal Seals Metal & Plastic Retained Composite Seals Thermal Management

Parker Worldwide

North America

USA – Corporate, Cleveland, OH
Tel: +1 256 896 3000

USA – IPD, Huntsville, AL
Tel: +1 256 881 2040
ipdcct@parker.com

USA – IPD, (Autoclave), Erie, PA
Tel: +1 814 860 5700
ipdaeccct@parker.com

CA – Canada, Grimsby, Ontario
Tel: +1 905-945-2274
ipd_canada@parker.com

South America

AR – Argentina, Buenos Aires
Tel: +54 3327 44 4129
falecom@parker.com

BR – Brazil, Diadema, SP
Diadema, SP
Tel: +55 11 4360 6700
falecom@parker.com

CL – Chile, Santiago
Tel: +56 (0) 2 2303 9640
falecom@parker.com

MX – Mexico, Toluca
Tel: +52 722 275 4200
contacto@parker.com

Asia Pacific

AU – Australia, Dandenong
Tel: +61 (0)2 9842 5150
customer.service.au@parker.com

CN – China, Shanghai
Tel: +86 21 2899 5000
INGtechnical.china@parker.com

HK – Hong Kong
Tel: +852 2428 8008

IN – India, Mumbai
Tel: +91 22 6513 7081-85

ID – Indonesia, Tangerang
Tel: +62 2977 7900
parker.id@parker.com

JP – Japan, Tokyo
Tel: +(81) 3 6365 4020
infophj@parker.com

KR – South Korea, Seoul
Tel: +82 2 559 0400
parkerkr@parker.com

MY – Malaysia, Selangor
Tel: +603 784 90 800
parkermy@parker.com

SG – Singapore,
Tel: +65 6887 6300
parkersg@parker.com

TH – Thailand, Bangkok
Tel: +66 2 186 7000
phthailand@parker.com

TW – Taiwan, Taipei
Tel: +886 2 2298 8987
enquiry.taiwan@parker.com

VN – Vietnam, Ho Chi Minh City
Tel: +848 382 508 56
parker_viet@parker.com

Europe, Middle East, Africa

AE – UAE, Dubai
Tel: +971 4 812 7100
parker.me@parker.com

AT – Austria, Wiener Neustadt
Tel: +43 (0)2622 23501-0
parker.austria@parker.com

AT – Eastern Europe, Wiener Neustadt
Tel: +43 (0)4 50 25 80 25
parker.easteurope@parker.com

AZ – Azerbaijan, Baku
Tel: +994 50 2233 458
parker.azerbaijan@parker.com

BE/LU – Belgium, Nivelles
Tel: +32 (0)67 280 900
parker.belgium@parker.com

BG – Bulgaria, Sofia
Tel: +359 2 980 1344
parker.bulgaria@parker.com

BY – Belarus, Minsk
Tel: +48 (0)22 573 24 00
parker.belarus@parker.com

CH – Switzerland, Etoy
Tel: +41 (0) 21 821 87 00
parker.switzerland@parker.com

CZ – Czech Republic, Klecany
Tel: +420 284 083 111
parker.czechrepublic@parker.com

DE – Germany, Kaarst
Tel: +49 (0)2131 4016 0
parker.germany@parker.com

DK – Denmark, Ballerup
Tel: +45 43 56 04 00
parker.denmark@parker.com

ES – Spain, Madrid
Tel: +34 902 33 00 01
parker.spain@parker.com

FI – Finland, Vantaa
Tel: +358 (0)20 753 2500
parker.finland@parker.com

FR – France, Contamine s/Arve
Tel: +33 (0)4 50 25 80 25
parker.france@parker.com

GR – Greece, Athens
Tel: +30 210 933 6450
parker.greece@parker.com

HU – Hungary, Budapest
Tel: +36 223 885 470
parker.hungary@parker.com

IE – Ireland, Dublin
Tel: +353 (0)1 466 6370
parker.ireland@parker.com

IT – Italy, Corsico (MI)
Tel: +39 02 45 19 21
parker.italy@parker.com

KZ – Kazakhstan, Almaty
Tel: +7 7273 561 000
parker.easteurope@parker.com

NL – The Netherlands, Oldenzaal
Tel: +31 (0)541 585 000
parker.nl@parker.com

NO – Norway, Stavanger
Tel: +47 66 75 34 00
parker.norway@parker.com

PL – Poland, Warsaw
Tel: +48 (0)22 573 24 00
parker.poland@parker.com

PT – Portugal, Leca da Palmeira
Tel: +351 22 999 7360
parker.portugal@parker.com

RO – Romania, Bucharest
Tel: +40 21 252 1382
parker.romania@parker.com

RU – Russia, Moscow
Tel: +7 495 645-2156
parker.russia@parker.com

SE – Sweden, Spånga
Tel: +46 (0)8 59 79 50 00
parker.sweden@parker.com

SK – Slovakia, Banská Bystrica
Tel: +421 484 162 252
parker.slovakia@parker.com

SL – Slovenia, Novo Mesto
Tel: +386 7 337 6650
parker.slovenia@parker.com

TR – Turkey, Istanbul
Tel: +90 216 4997081
parker.turkey@parker.com

UA – Ukraine, Kiev
Tel: +48 (0)22 573 24 00
parker.ukraine@parker.com

UK – United Kingdom, Warwick
Tel: +44 (0)1926 317 878
parker.uk@parker.com

ZA – South Africa, Kempton Park
Tel: +27 (0)11 961 0700
parker.southafrica@parker.com



1005 A Cleaner Way
Huntsville, AL 35805 USA
Tel: 256.881.2040
Fax: 256.881.5072

www.Parker.com/IPD

8325 Hessinger Drive
Erie, PA 16509 USA
Tel: 814 860 5700
Fax: 814 860 5811

www.autoclave.com

Questions? Chat with Us, click on

Instrumentation Products Division

Operation and Maintenance Manual
ASL Series: Liquid Pumps