



Bulletin MSG11-5715-737/UK

Installation Note Series TFP

Design \geq 12



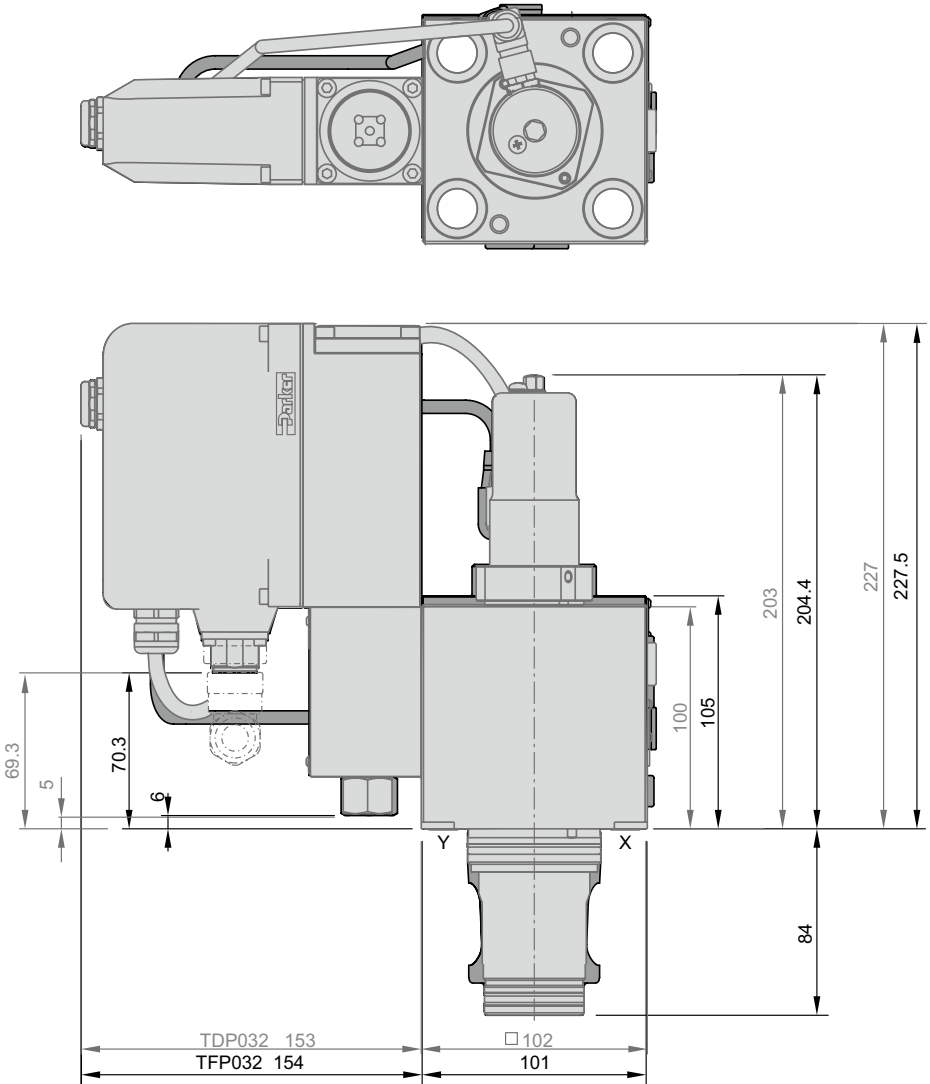
2-Way Servo Proportional Valves with VCD[®]-Technology Series TDP and TFP: Comparison of Dimensions

Parker Hannifin
Manufacturing Germany GmbH & Co. KG
Industrial Systems Division Europe
Gutenbergstr. 38
41564 Kaarst, Germany
E-mail: isde.kaarst.support@support.parker.com
Copyright © 2022, Parker Hannifin Corp.

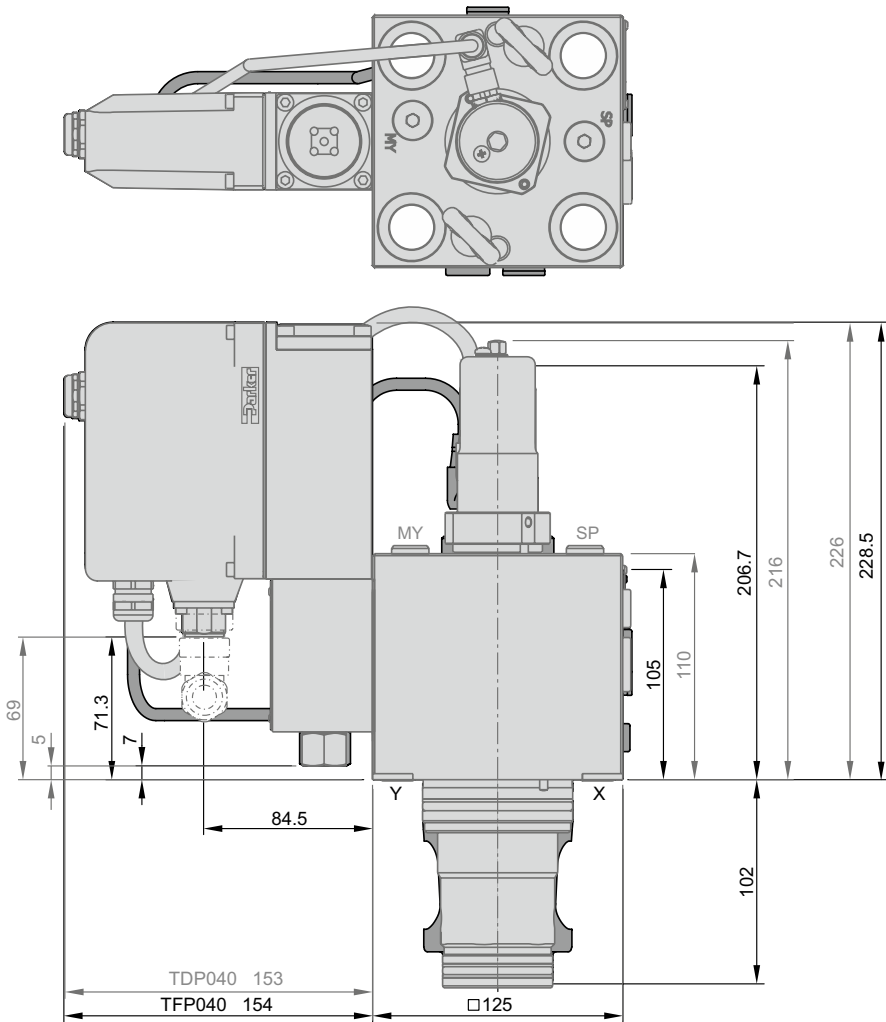
Comparison of Dimensions

2-Way Servo Proportional Valves Series TDP and TFP

TDP032 and TFP032



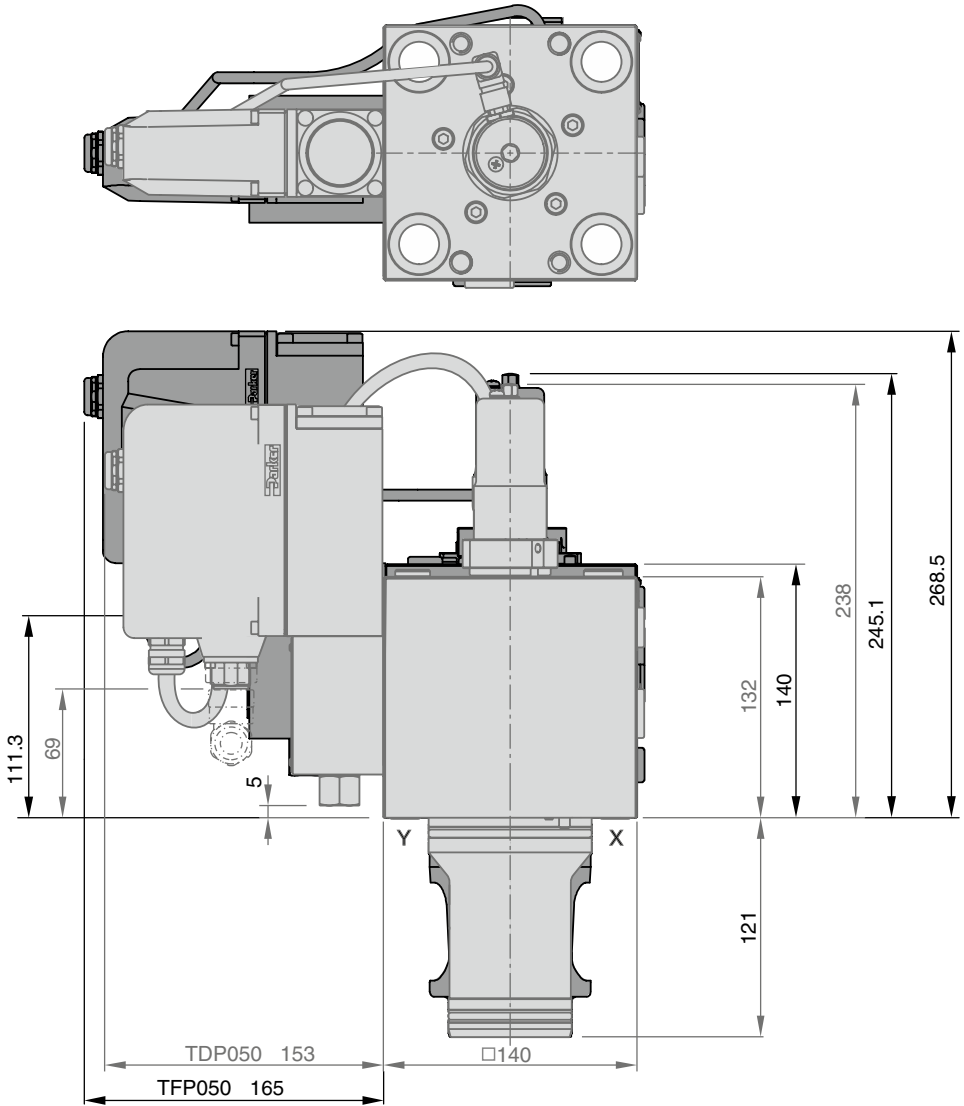
TDP040 and TFP040



Comparison of Dimensions

2-Way Servo Proportional Valves Series TDP and TFP

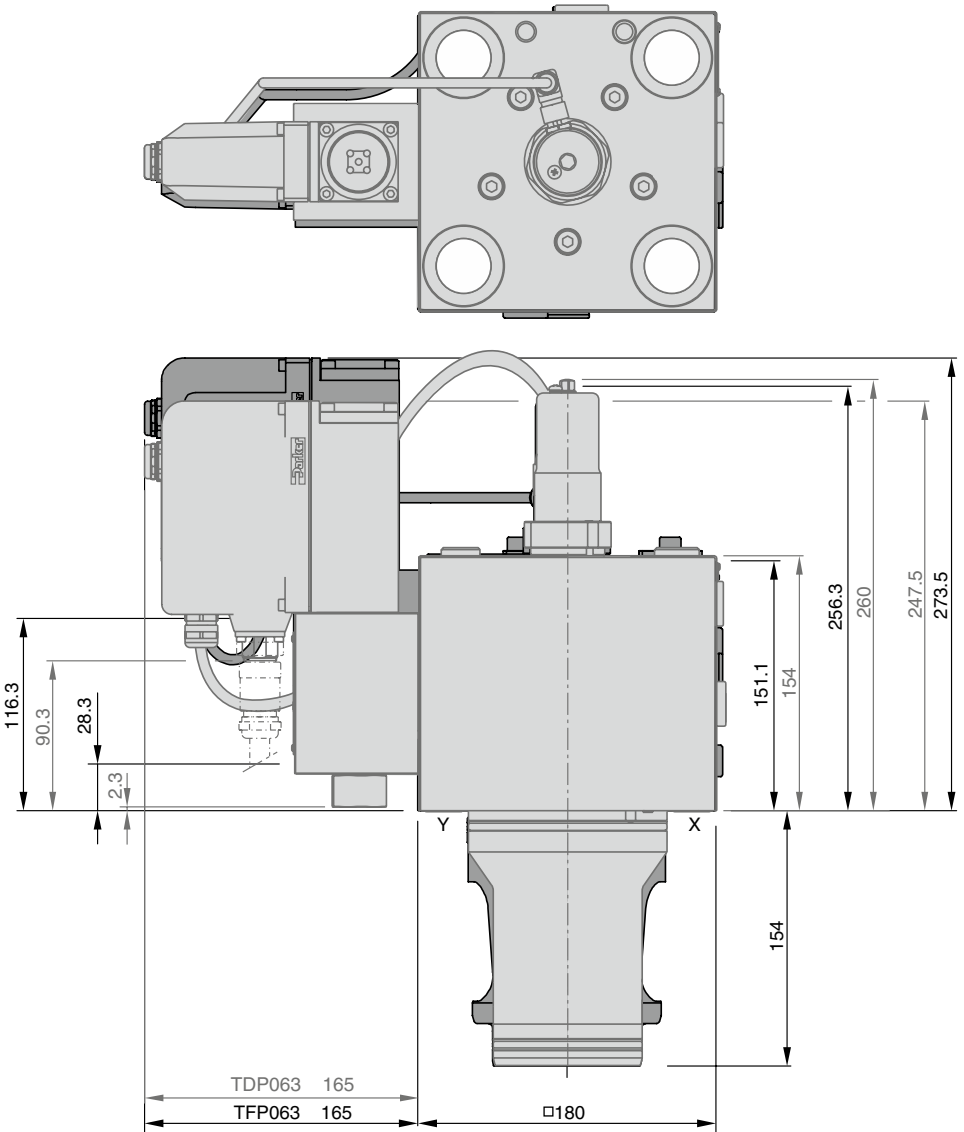
TDP050 and TFP050



Comparison of Dimensions

2-Way Servo Proportional Valves Series TDP and TFP

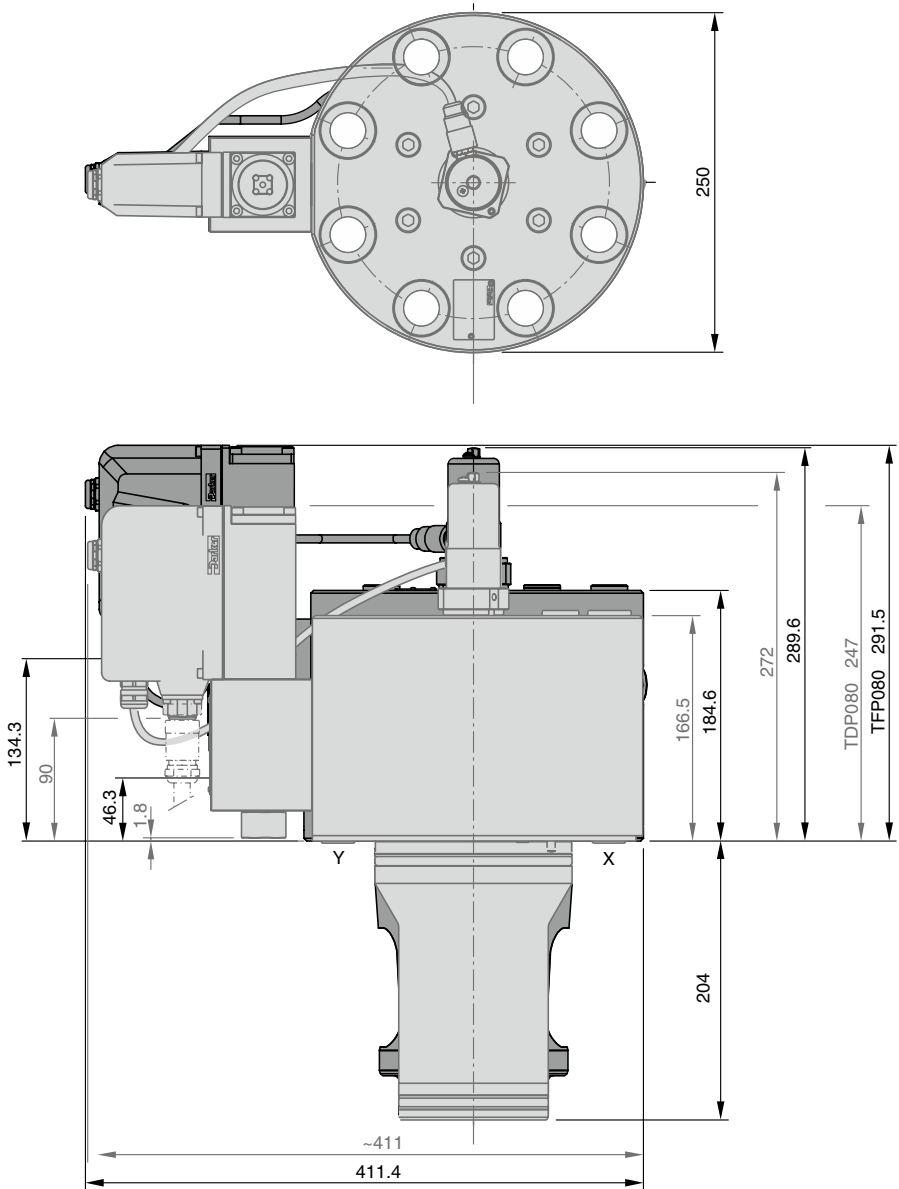
TDP063 and TFP063



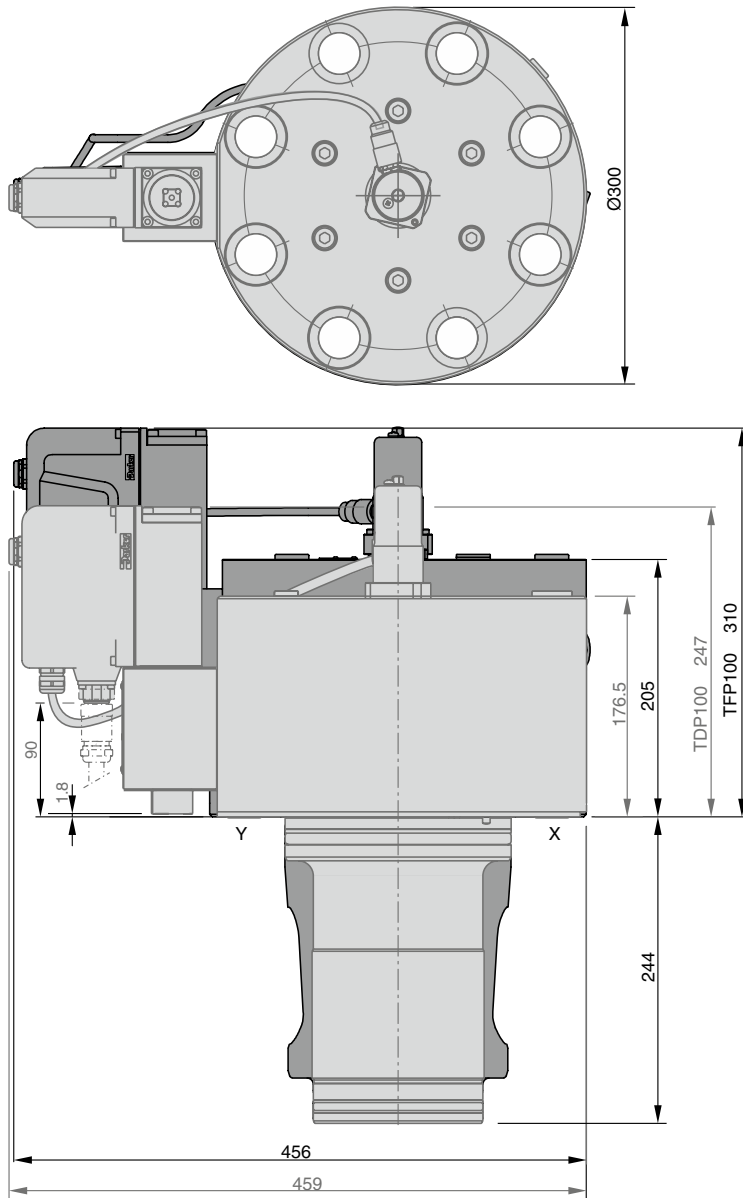
Comparison of Dimensions

2-Way Servo Proportional Valves Series TDP and TFP

TDP080 and TFP080



TDP100 and TFP100



Please direct technical product enquiries to:

Parker Hannifin

Manufacturing Germany GmbH & Co. KG

Industrial Systems Division Europe

Gutenbergstr. 38

41564 Kaarst, Germany

E-mail: isde.kaarst.support@support.parker.com

Hotline in Europe

Tel.: 00800-2727-5374