

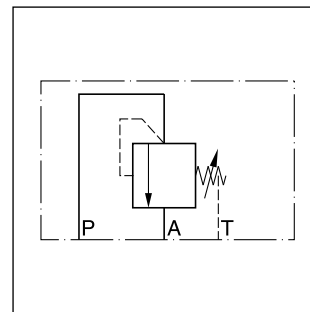
Direct operated pressure relief valve with manual adjustment. The series VB can also be used as a pressure sequence valve, because of the high pressure capability in the outlet port and the external drain port.

Features

- Spool type valve
- Subplate mounting according to ISO 5781
- 5 pressure stages
- 2 adjustment modes

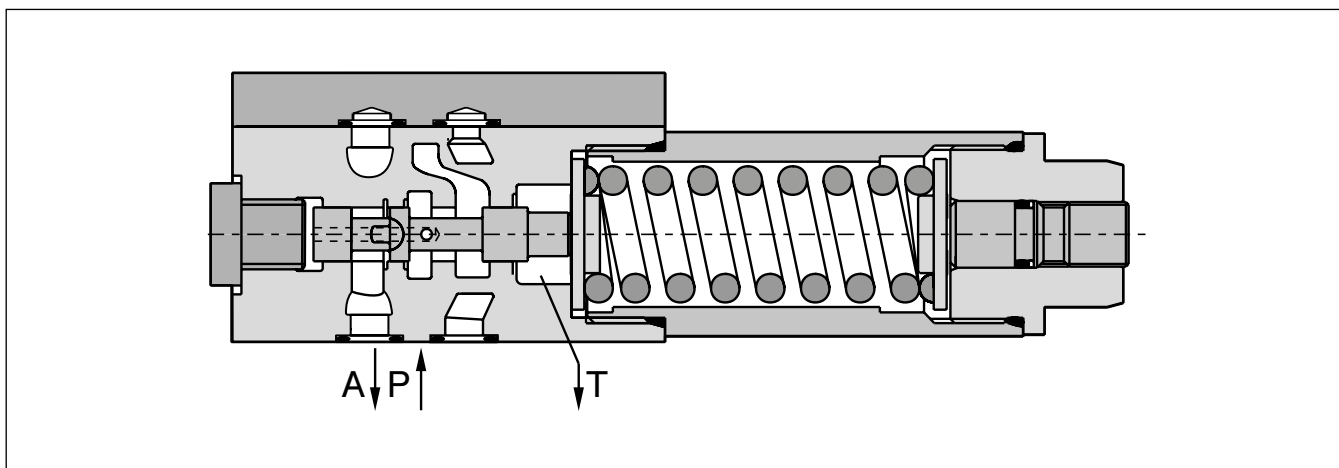


VB*A06

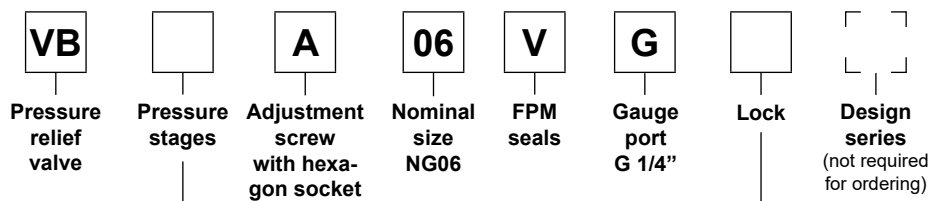


VB*A06

VB*A06



Ordering code



Code	Pressure stages
025	up to 25 bar
064	up to 64 bar
160	up to 160 bar
210	up to 210 bar
350	up to 350 bar

Code	Lock
omit	-
Z	Cylinder lock

**Bold letters =
Short-term availability**

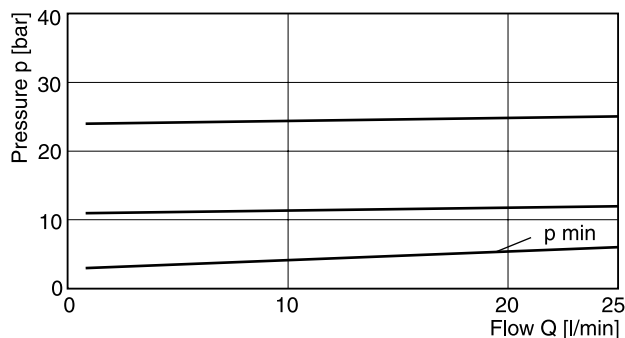
Technical Data / Characteristic Curves

General		
Design	Direct operated pressure relief valve, spool type	
Nominal size	NG06 (CETOP 03 / NFPA D03)	
Interface	Subplate mounting according to ISO 5781	
Mounting position	unrestricted	
Ambient temperature	[°C]	-20...+60
MTTF _D value	[years]	150
Weight	[kg]	1.3
Hydraulic		
Max. operating pressure	[bar]	Port P and A 350 Port T depressurized
Pressure stages	[bar]	25, 64, 160, 210, 350
Nominal flow	[l/min]	25
Fluid	Hydraulic oil according to DIN 51524	
Fluid temperature	[°C]	-20...+70
Viscosity permitted	[cSt] / [mm ² /s]	20...400
Viscosity recommended	[cSt] / [mm ² /s]	30...80
Filtration	ISO 4406; 18/16/13	

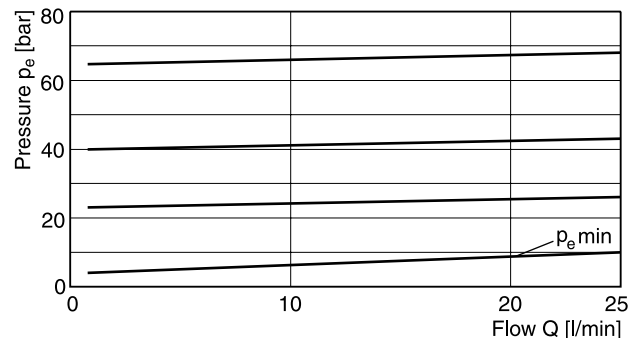
4

p/Q performance curves

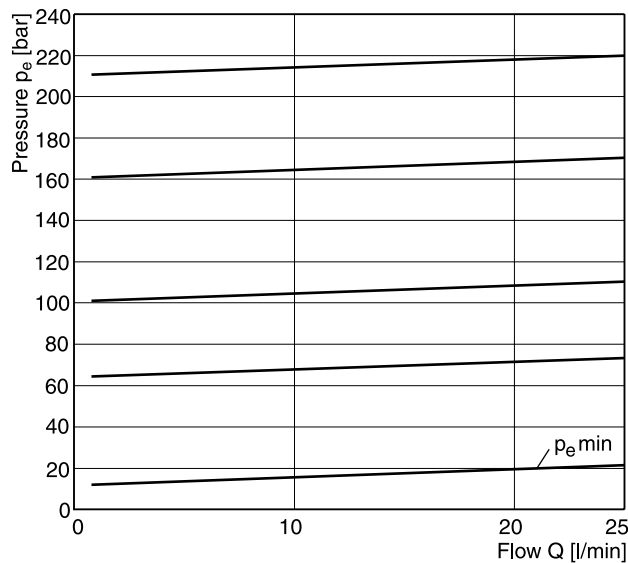
Setting pressure max. 25 bar



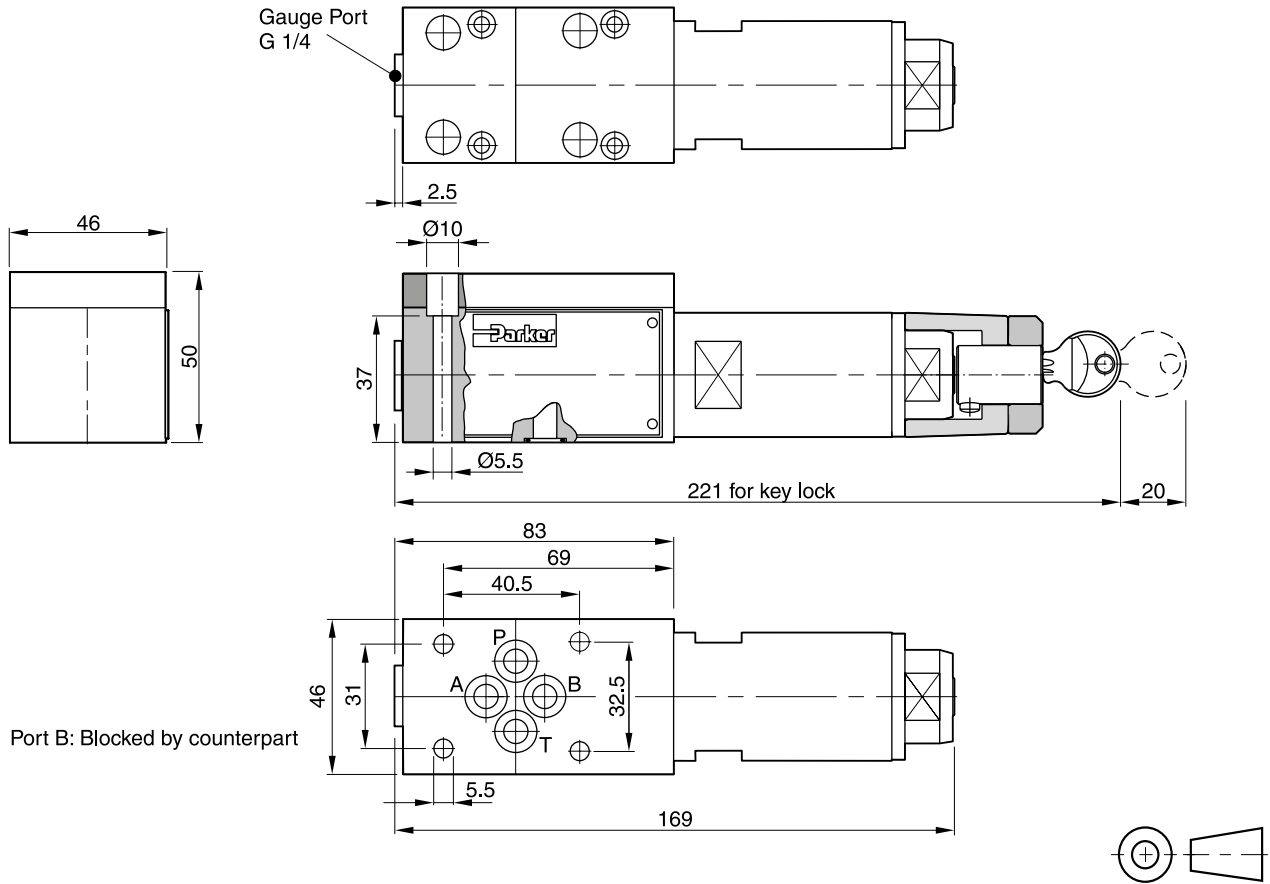
Setting pressure max. 64 bar






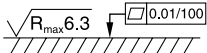
Setting pressure max. 160 or 210 bar



All characteristic curves measured with HLP46 at 50 °C.



4

Surface finish	Bolt kit			 Kit FPM
	BK443	4x M5x45 ISO 4762-12.9	7.6 Nm ±15 %	SK-VB/VM/VS-A06V

Mounting pattern ISO 5781-03-04-0-00

