

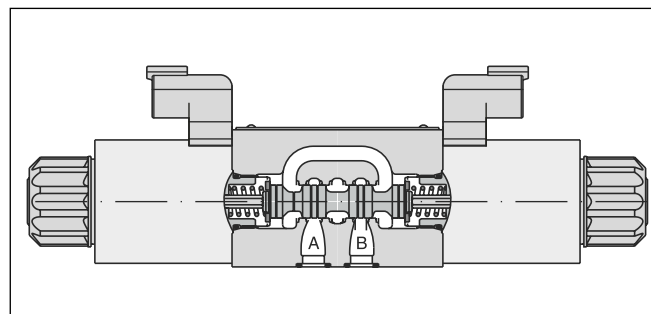
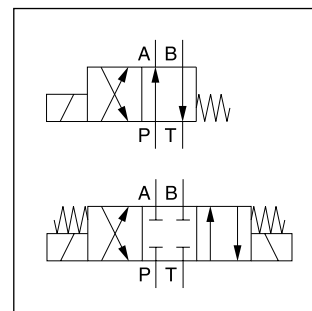
The D1MW is based on the D1VW series of directional control valves size NG06, but offers additional corrosion protection of the valve body, the solenoid coil and the anchor tube as well as the typical solenoid connections for the mobile market such as AMP Junior Timer and DT04-2P "Deutsch".

**Technical features**

- High corrosion protection (optional)
- Solenoid connection:
  - Standard (as per EN175301-803)
  - AMP Junior Timer
  - DT04-2P "Deutsch"
- Robust design for rough applications
- Extended manual override with rubber cover (optional)



With AMP Junior Timer



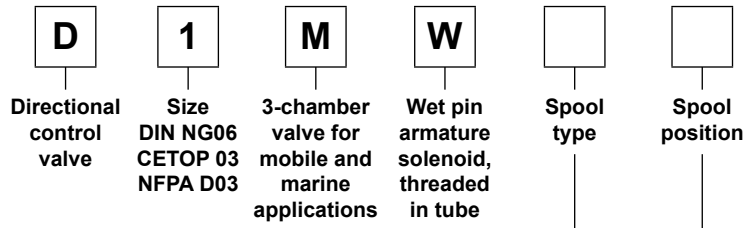
Connector DT04-2P "Deutsch"

**Technical data**

General			
Design		Directional spool valve	
Actuation		Solenoid	
Size		DIN NG06 / CETOP 03 / NFPA D03	
Mounting interface		DIN 24340 A6 / ISO 4401 / CETOP RP 121-H / NFPA D03	
Mounting position		Unrestricted, preferably horizontal	
Ambient temperature	[°C]	-25...+60	
MTTF <sub>D</sub> value	[years]	150	
Weight	[kg]	1.5 (1 solenoid), 2.1 (2 solenoids)	
Vibration resistance	[g]	10 Sinus 5...2000 Hz acc. IEC 68-2-6	
		30 Random noise 20...2000 Hz acc. IEC 68-2-36	
		15 Shock acc. IEC 68-2-27	
Hydraulic			
Max. operating pressure	[bar]	P, A B: 350; T: 210	
Fluid		Hydraulic oil according to DIN 51524	
Fluid temperature	[°C]	-20 ... +70 (NBR: -25...+70)	
Viscosity permitted	[cSt] / [mm <sup>2</sup> /s]	2.8...400	
Viscosity recommended	[cSt] / [mm <sup>2</sup> /s]	30...80	
Filtration		ISO 4406; 18/16/13	
Flow max.	[l/min]	80 (see shift limits)	
Leakage at 50 bar	[ml/min]	Up to 10 per flow path, depending on spool	
Static / Dynamic			
Step response at 95 %	[ms]	Energized: 32	
		De-energized: 40	
Electrical characteristics			
Duty ratio		100 % ED; CAUTION: coil temperature up to 150 °C possible	
Max. switching frequency	[1/h]	15000	
Protection class		Standard (as per EN175301-803) IP65 acc. EN60529 (w. corr. mount. plug-in connector)	
		AMP Junior Timer IP67 in acc. with EN60529 (with correctly mounted plug-in connector)	
		DT04-2P "Deutsch" IP69K (with correctly mounted plug-in connector)	
	Code	K	J
Supply voltage	[V]	12 V =	24 V =
Tolerance supply voltage	[%]	±10	±10
Current consumption hold	[A]	2.72	1.29
Power consumption hold	[W]	32.7	31
Solenoid connection		Connector as per EN 175301-803 (code W), AMP Junior Timer (code A), DT04-2P "Deutsch" connector (code J). Solenoid identification as per ISO 9461.	
Wiring min.	[mm <sup>2</sup> ]	3 x 1.5 recommended	
Wiring length max.	[m]	50 recommended	

With electrical connections the protective conductor (PE ≍) must be connected according to the relevant regulations.

**2**



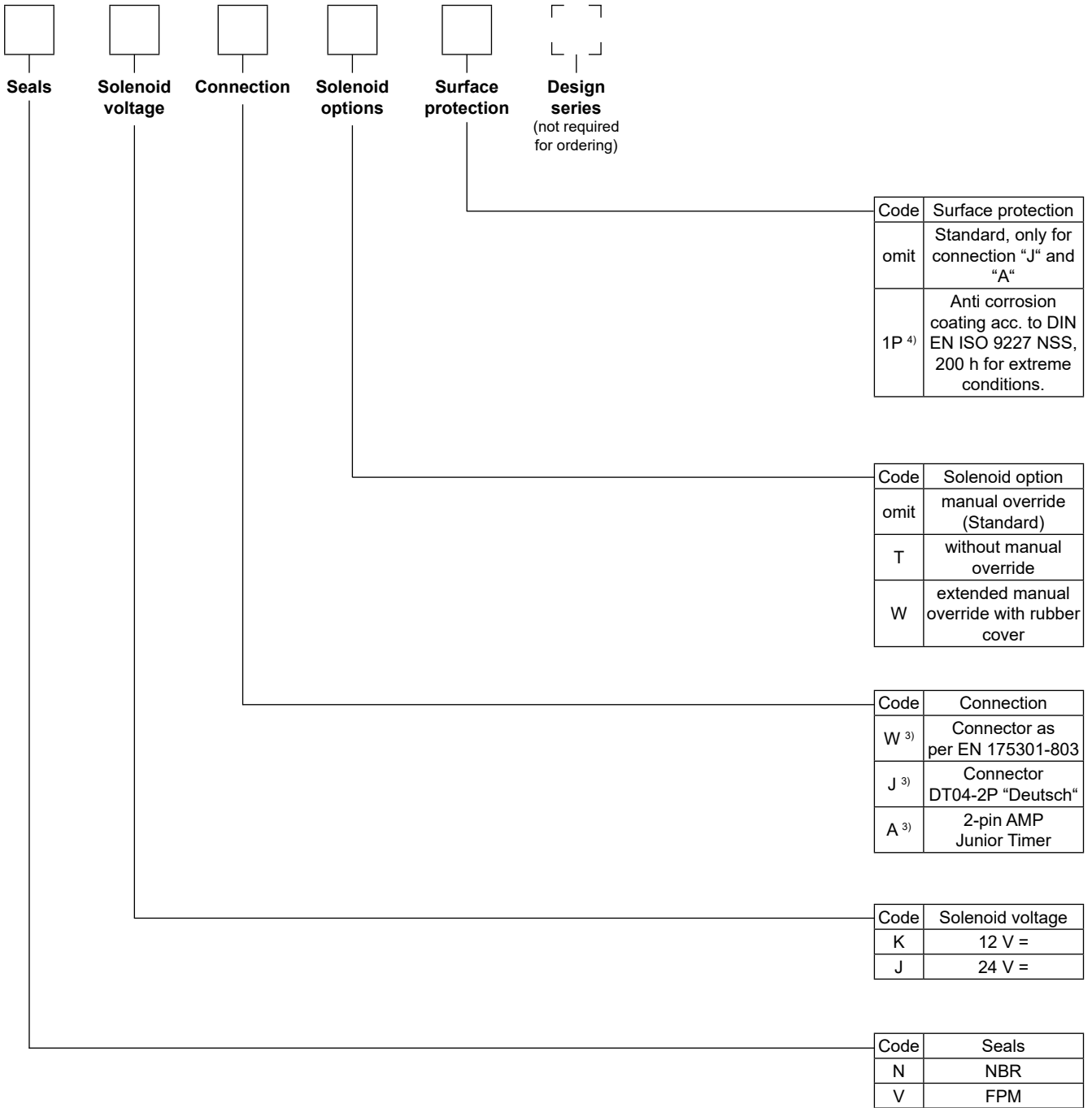
3 position spools	
Code	Spool type
	a 0 b
001	
002	
003	
004	
005	
006	
007	
008 <sup>1)</sup>	
009 <sup>1)</sup>	
010	
011	
014	
015	
016	
021	
022	
031	
032	
034	
035	
061	
081	
082	
102	
204 <sup>1)</sup>	
205 <sup>1)</sup>	

2 position spools	
Code	Spool type
	a b
020	
026	
030	
083 <sup>1)</sup>	
101	
208 <sup>2)</sup>	

3 position spools			
Code	Spool position		
C			3 positions. Spring offset in position "0". Operated in position "a" or "b".
	Standard	Spool type 008, 009, 204, 205	
E	 Operated in position "a".	 Operated in position "b".	2 positions. Spring offset in position "0".
F	 Spring offset in position "b".	 Spring offset in position "a".	2 positions. Operated in position "0".
K	 Operated in position "b".	 Operated in position "a".	2 positions. Spring offset in position "0".
M	 Spring offset in position "a".	 Spring offset in position "b".	2 positions. Operated in position "0".

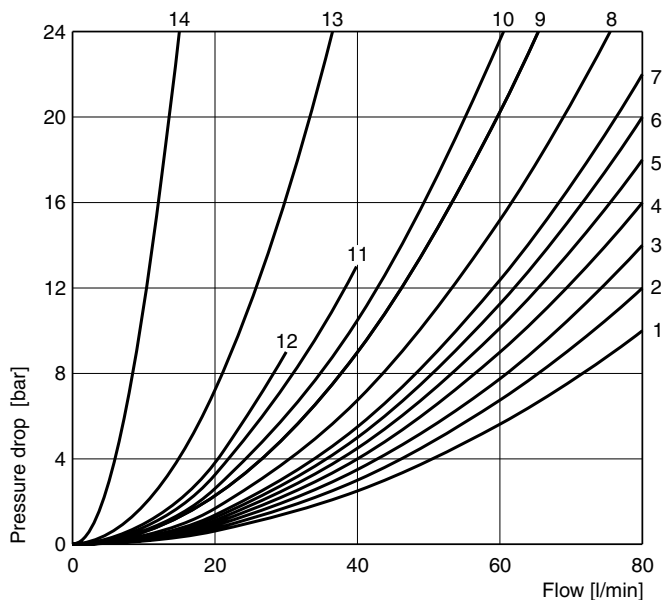
2 position spools			
Code	Spool position		
	Standard	Spool type 083	
B	 Operated in position "b".	 Operated in position "a".	2 positions. Spring offset in position "b". Operated in position "a".
D	 Operated in position "a" or "b".	—	2 positions. Operated in position "a" or "b". No center or offset position.
H	 Spring offset in position "a".	 Spring offset in position "b".	2 positions. Spring offset in position "a". Operated in position "b".

- <sup>1)</sup> Consider specific spool position.
- <sup>2)</sup> Not for spool position code "D".
- <sup>3)</sup> Please order plug separately.
- <sup>4)</sup> Only in combination with connection "J" and "W".



Other spool types on request.

**Flow curves**



All characteristic curves measured with HLP46 at 50 °C.

Spool	Position "b"			Position "a"			Position "0"				
	P-A	B-T	P-B	P-B	A-T	P-A	P-A	P-B	A-T	B-T	P-T
001	2	2		2	2						
002	1	4		1	4		1	1	5	5	2
003	3	4		3	6				7		
004	2	3		2	3				7	7	
005	2	2		2	2		12				
006	1	4		1	4		7	7			
007	3	2		2	2			3		2	7
010	3			3							
011	2	2		2	2				14	14	
014	3	2		2	2		3		2		7
015	3	6		3	4					7	
016	2	2		2	2			12			
020B	4	4		2	3						
026B	4			4							
030B	2	3		1	2						
034	4		8	3	3				5	7	
035	3	3		4		8			7	5	
081	13	13		13	13						
082	13	13		13	13				1)	1)	
101B	11	10		10	9						
102	1	4		1	4		5	5	8	8	6
61	1	3		1	3		3	2			
83H	5	2		5	2						
208	3			2							
	P-B	A-T		P-A	B-T		P-A	P-B	A-T	B-T	P-T
008	4	5		4	5						9
009	5	5		6	7						7
83B	5	2		5	2						
204	1	3		4	3		7		4		7
205	4	3		1	3			7		4	5

Spool	Position "b"			Position "a"		
	P-A	P-B	A-B	P-B	A-T	
021	2	4		4	2	
	P-A	B-T		P-A	P-B	A-B
022	6	2		5	2	

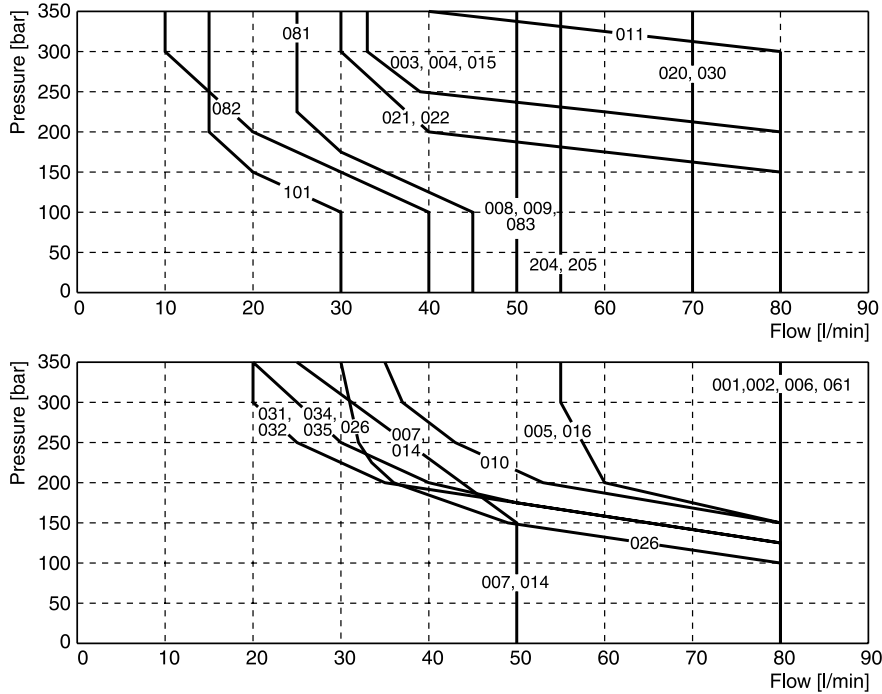
1) Only for pressure compensation, no high flow possible.

**Shift limits, DC voltage**

The diagram below specifies the shift limits for valves with DC & AC solenoids. Valves with spool position “F” or “M” can only be operated up to 70 % of the limits. The specifications apply to a viscosity of 40 mm<sup>2</sup>/s and bal-

anced flow conditions. The shift limits can be considerably lower at unbalanced flow conditions. To avoid flow rates beyond the shift limits, a plug-in orifice can be inserted in the P-port.

**2**

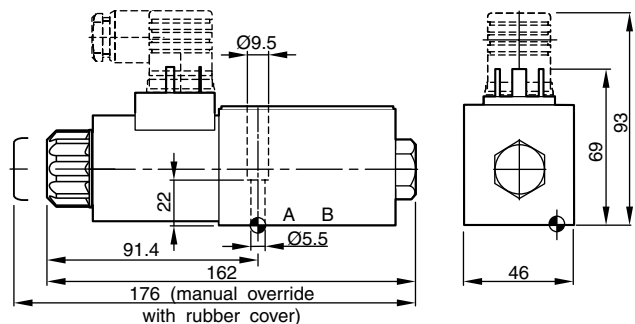


Measured with HLP46 at 50 °C, 90 % U<sub>nom</sub> and warm solenoids

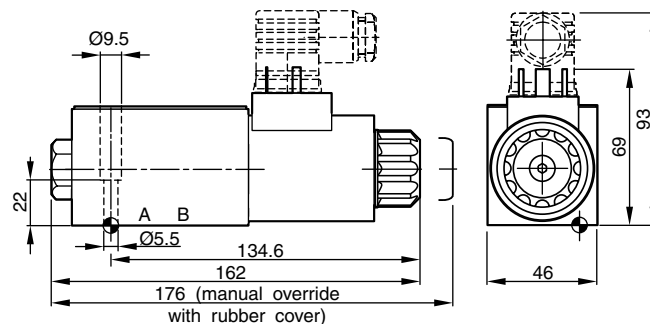
**Dimensions**

**Dimensions with EN 175301-803 Connector**

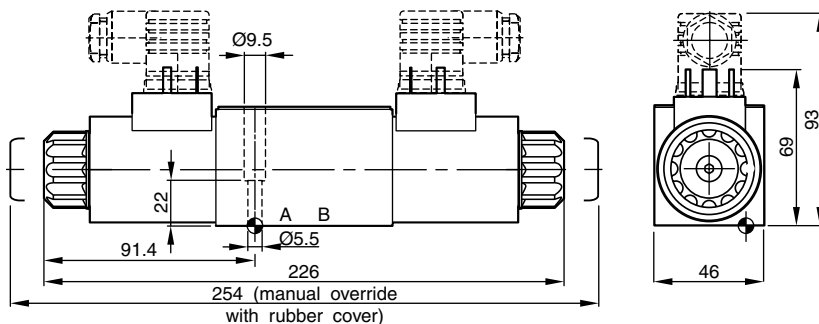
**B, E, F -style**



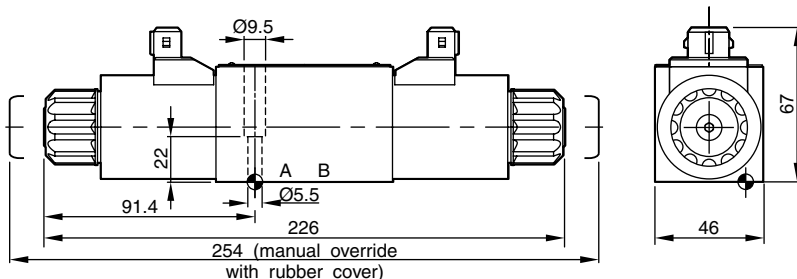
**H, K, M -style**



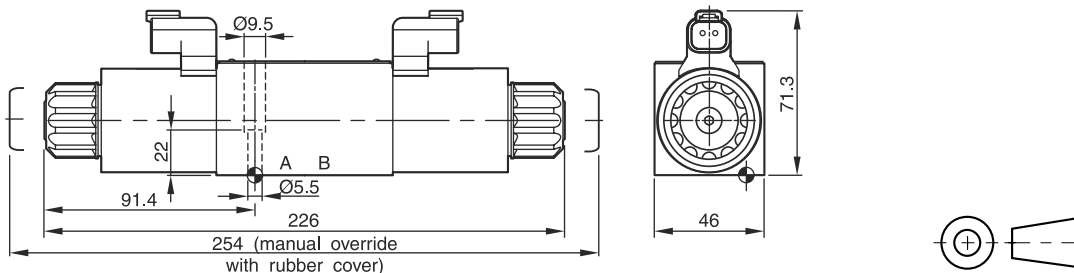
**C and D -style**



**Dimensions with 2pin AMP Junior Timer Connector (only C and D -style shown)**



**Dimensions with "Deutsch" DT04-2P Connector (only C and D -style shown)**



Surface finish	Kit	Kit	Kit	Kit
	BK375	4x M5x30 ISO 4762-12.9	7.6 Nm ±15 %	<b>NBR: SK-D1VW-N-91</b> FPM: SK-D1VW-V-91

The space necessary to remove the plug per EN 175301-803, design type AF is at least 15 mm.  
The torque for the screw M3 of the plug has to be 0.5 to 0.6 Nm.