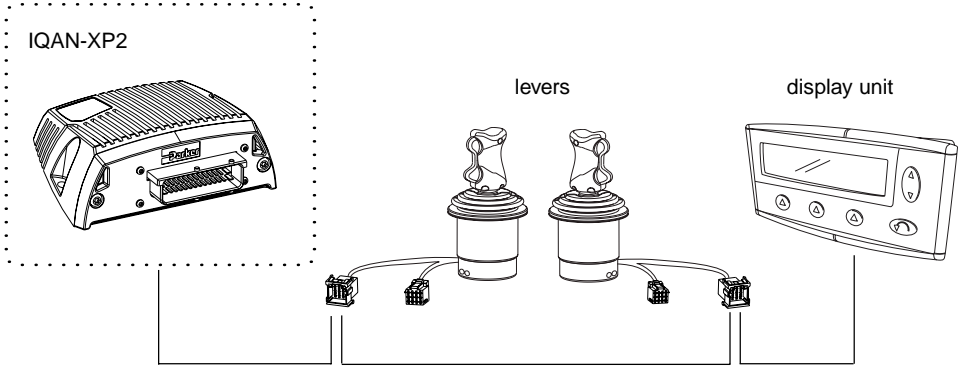


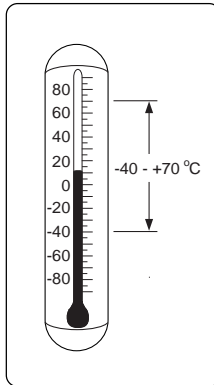
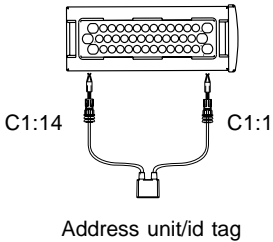
# Installation IQAN-XP2

Publ.no: M5010016A

Ed. A



## CAN module addressing/terminating

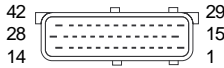
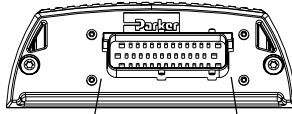


**CE**  
(89/336/EEC)

For further information see:  
HY17-8373/UK Instructions IQAN-XP2

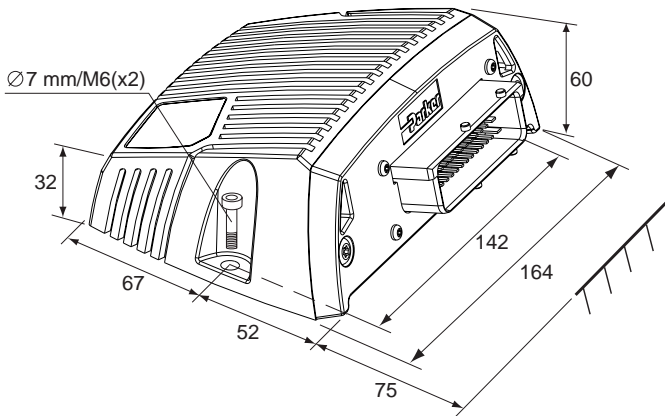


# Wiring diagram



1	ADDR-H	15	-BAT	29	-BAT2
2	+VREF-A	16	CAN-H	30	CAN-L
3	VIN-A/FIN-A	17	COUT-A	31	COUT-A
4	-VREF-A	18	CRET-A+	32	CRET-A-
5	+VREF-B	19	COUT-B	33	COUT-B
6	VIN-B/FIN-B	20	CRET-B+	34	CRET-B-
7	-VREF-B	21	DOUT-A/PWMOUT-A	35	DOUT-C/PWMOUT-C
8	+VREF-C	22	DOUT-B/PWMOUT-B	36	DOUT-D/PWMOUT-D
9	VIN-C	23	COUT-C	37	COUT-C
10	-VREF-C	24	CRET-C+	38	CRET-C-
11	+VREF-D	25	COUT-D	39	COUT-D
12	VIN-D	26	CRET-D+	40	CRET-D-
13	-VREF-D	27	CAN-H	41	CAN-L
14	ADDR-L	28	+BAT(+12V, +24V)	42	+BAT2(+12V, +24V)

Mating connector kit: 5031 063



unit = mm