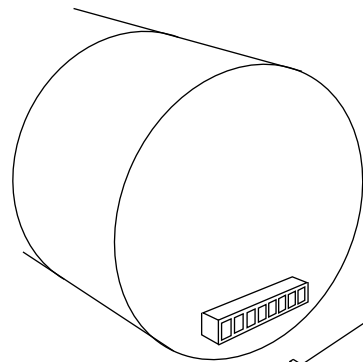
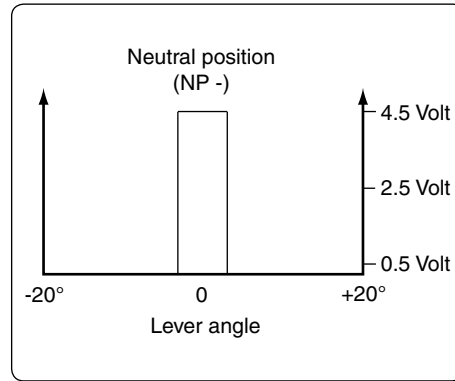
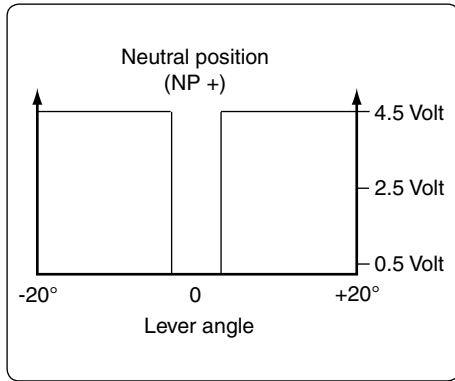
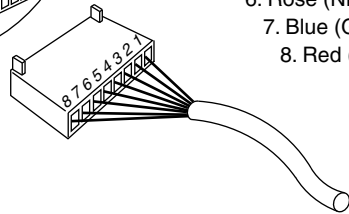


Wiring diagram



1. Brown (Z)
2. White (C1_2.5V)
3. Yellow (Y)
4. Green (NP-)
5. Grey (X)
6. Rose (NP+)
7. Blue (GND)
8. Red (V_{BAT}) external fuse 1A



Installation ICL4_7/ICM4_7

Publ.no: M91224570/91263120A
Ed. A

