

CV  
Check Valves

SH  
Shuttle Valves

LM  
Load/Motor Controls

FC  
Flow Controls

PC  
Pressure Controls

LE  
Logic Elements

DC  
Directional Controls

SV  
Solenoid Valves

PV  
Proportional Valves

CE  
Coils & Electronics

BC  
Bodies & Cavities

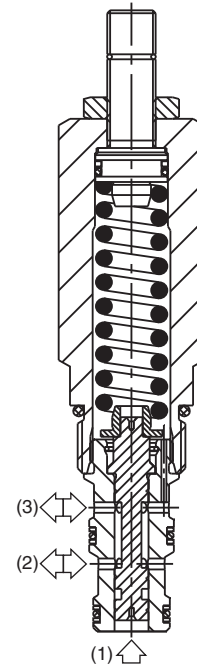
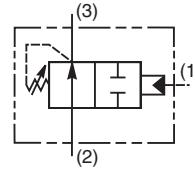
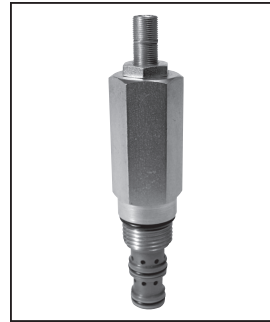
TD  
Technical Data

### General Description

Direct Acting, Normally Open Sequence Valve with External Pilot and Internal Drain. For additional information see Technical Tips on pages PC1-PC4.

### Features

- Sealed pilot option available
- Hardened working parts for maximum durability
- All external parts zinc plated
- Adjustable and tamperproof versions available



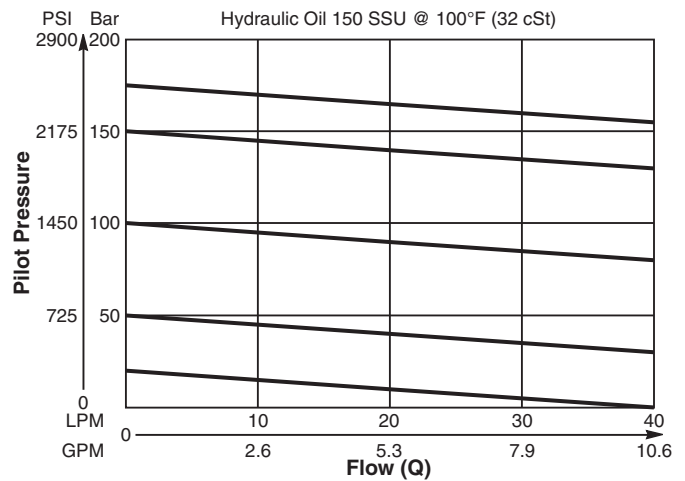
### Specifications

<b>Rated Flow</b>	40 LPM (10.6 GPM)
<b>Maximum Inlet Pressure</b>	420 Bar (6000 PSI)
<b>Maximum Pressure Setting</b>	G - 2-166 Bar (30-2400 PSI)
<b>Sensitivity: Pressure/Turn</b>	G - 17 Bar (248 PSI)
<b>Maximum Tank Pressure</b>	420 Bar (6000 PSI)
<b>Leakage at 150 SSU (32 cSt)</b>	25 ml/min. @ 100 Bar (1450 PSI)
<b>Cartridge Material</b>	All parts steel. All operating parts hardened steel.
<b>Fluid Compatibility/ Viscosity</b>	Mineral-based or synthetic with lubricating properties at viscosities of 45 to 2000 SSU (6 to 420 cSt)
<b>Filtration</b>	ISO-4406 18/16/13, SAE Class 4
<b>Approx. Weight</b>	0.30 kg (0.66 lbs.)
<b>Cavity</b>	C10-3 (See BC Section for more details)
<b>Form Tool</b>	Rougher NFT10-3R Finisher NFT10-3F

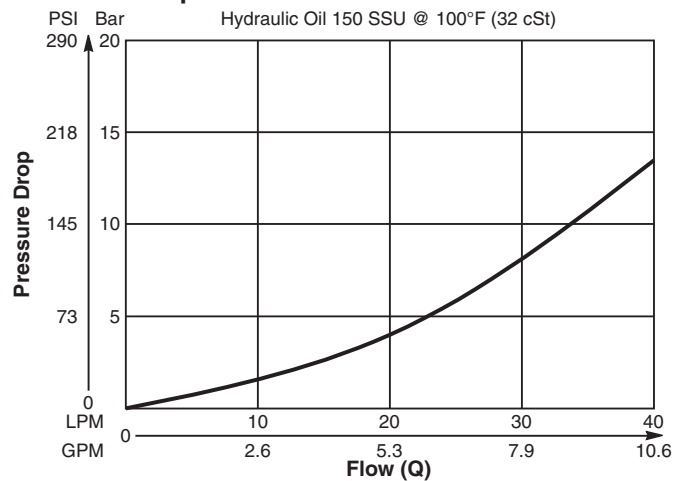
### Performance Curves

(Pressure rise through cartridge only)

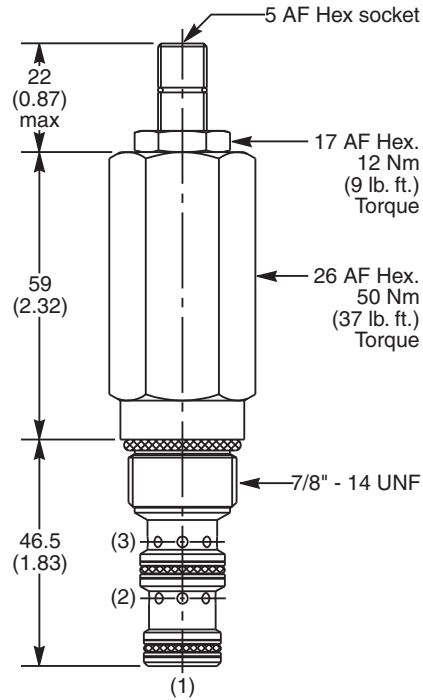
#### Flow vs. Inlet Pressure 2 to 3



#### Pressure Drop vs. Flow 2 to 3



**Dimensions** Millimeters (Inches)



**Ordering Information**

<b>B04G3</b>	<b>G</b>	<b>Z</b>	<b>N</b>
10 Size D.A. Sequence Valve (External Pilot & Internal Drain)	Pilot Pressure Adjustment Range	Adjustment Style	Seals

Code	Pilot Pressure Adjustment Range
G	2 - 166 Bar (30 - 2400 PSI)

Pilot Switching Pressure
<b>B04G3G</b> Standard Setting: 80 Bar (1160 PSI) @ 5 LPM (1.3 GPM)

*Order Bodies Separately  
See section BC*

<b>B10</b>	—	<b>3</b>	—	<b>8B</b>
10 Size		3-Way Cavity		Port Size

Code	Adjustment Style
Z	Screw Adjust

*Valves are supplied at Standard setting.  
Other settings are available, please  
contact Parker Sales.*

Port Size
1/2" BSP

Body Material
Steel

Code	Seals / Kit No.	Operating Temp.
N	Nitrile, Buna-N / (SK30505N-1)	-34°C to +121°C (-30°F to +250°F)

- CV  
Check Valves
- SH  
Shuttle Valves
- LM  
Load/Motor Controls
- FC  
Flow Controls
- PC  
Pressure Controls
- LE  
Logic Elements
- DC  
Directional Controls
- SV  
Solenoid Valves
- PV  
Proportional Valves
- CE  
Coils & Electronics
- BC  
Bodies & Cavities
- TD  
Technical Data