

Technical Information

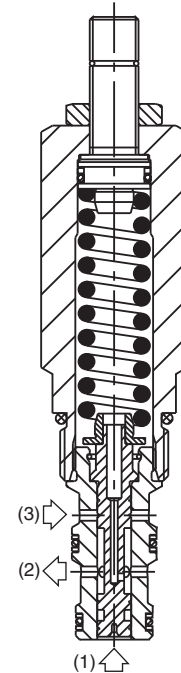
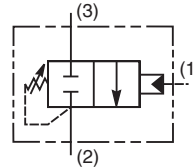
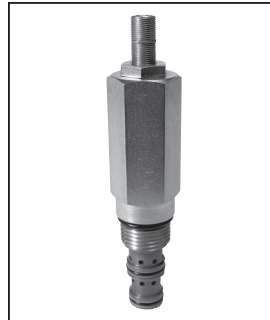
- CV** Check Valves
- SH** Shuttle Valves
- LM** Load/Motor Controls
- FC** Flow Controls
- PC** Pressure Controls
- LE** Logic Elements
- DC** Directional Controls
- SV** Solenoid Valves
- PV** Proportional Valves
- CE** Coils & Electronics
- BC** Bodies & Cavities
- TD** Technical Data

General Description

Direct Acting, Normally Closed Sequence Valve with External Pilot and Internal Drain. For additional information see Technical Tips on pages PC1-PC4.

Features

- Hardened working parts for maximum durability
- All external parts zinc plated
- Adjustable and tamperproof versions available



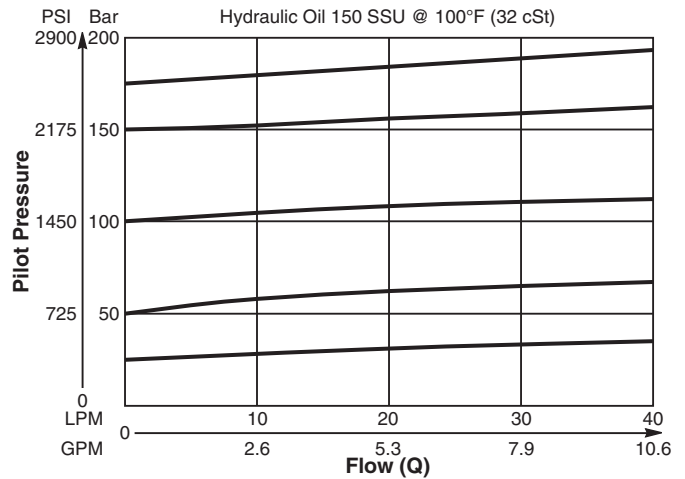
Specifications

Rated Flow	34 LPM (9 GPM)
Maximum Inlet Pressure	420 Bar (6000 PSI)
Maximum Pressure Setting	G - 2-166 Bar (30-2400 PSI)
Sensitivity: Pressure/Turn	G - 17 Bar (248 PSI)
Maximum Tank Pressure	420 Bar (6000 PSI)
Leakage at 150 SSU (32 cSt)	25 ml/min. @ 100 Bar (1450 PSI)
Cartridge Material	All parts steel. All operating parts hardened steel.
Fluid Compatibility/ Viscosity	Mineral-based or synthetic with lubricating properties at viscosities of 45 to 2000 SSU (6 to 420 cSt)
Filtration	ISO-4406 18/16/13, SAE Class 4
Approx. Weight	0.30 kg (0.66 lbs.)
Cavity	C10-3 (See BC Section for more details)
Form Tool	Rougher NFT10-3R Finisher NFT10-3F

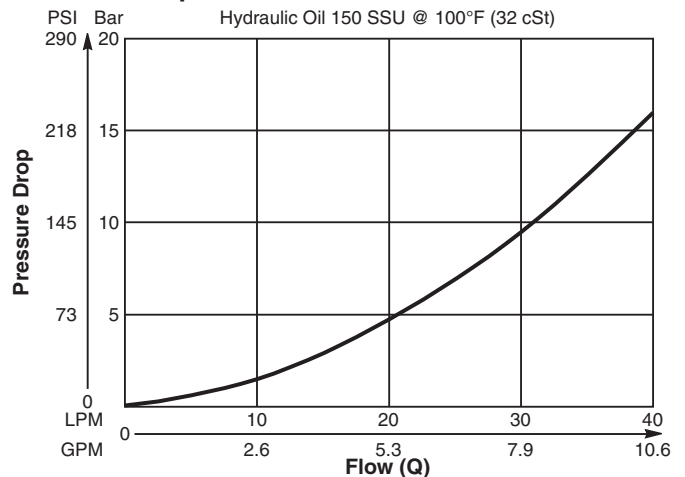
Performance Curves

(Pressure rise through cartridge only)

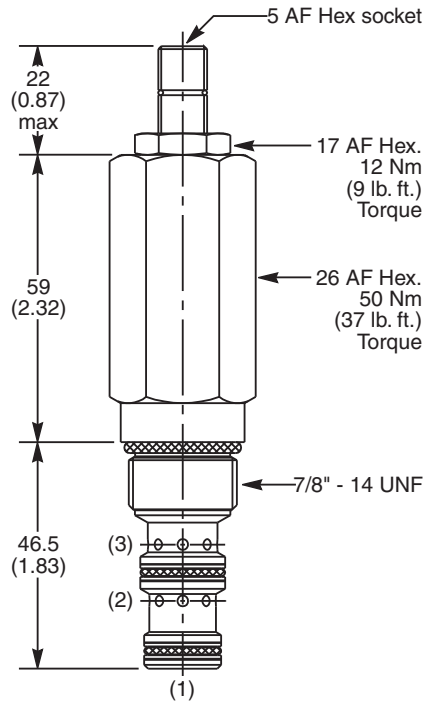
Flow vs. Inlet Pressure 3 to 2



Pressure Drop vs. Flow 3 to 2



Dimensions Millimeters (Inches)



Ordering Information

B04F3	G	Z	N
10 Size D.A. Sequence Valve (External Pilot & Internal Drain)	Pilot Pressure Adjustment Range	Adjustment Style	Seals

Code	Pilot Pressure Adjustment Range
G	2 - 166 Bar (30 - 2400 PSI)

Pilot Switching Pressure
B04F3G Standard Setting: 80 Bar (1160 PSI) @ 5 LPM (1.3 GPM)

*Order Bodies Separately
See section BC*

B10	—	3	—	8B
10 Size		3-Way Cavity		Port Size

Code	Adjustment Style
Z	Screw Adjust

*Valves are supplied at Standard setting.
Other settings are available, please
contact Parker Sales.*

Port Size
1/2" BSP

Body Material
Steel

Code	Seals / Kit No.	Operating Temp.
N	Nitrile, Buna-N / (SK30505N-1)	-34°C to +121°C (-30°F to +250°F)

- CV
- Check Valves
- SH
- Shuttle Valves
- LM
- Load/Motor Controls
- FC
- Flow Controls
- PC
- Pressure Controls
- LE
- Logic Elements
- DC
- Directional Controls
- SV
- Solenoid Valves
- PV
- Proportional Valves
- CE
- Coils & Electronics
- BC
- Bodies & Cavities
- TD
- Technical Data