

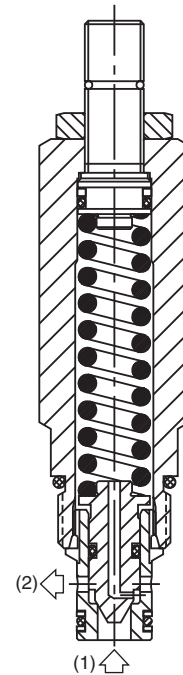
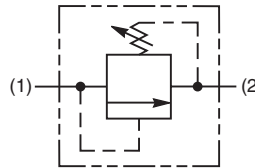
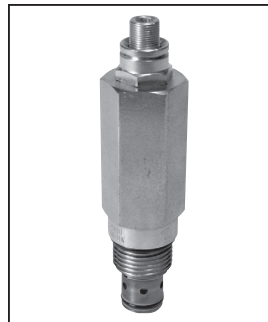
CV Check Valves
SH Shuttle Valves
LM Load/Motor Controls
FC Flow Controls
PC Pressure Controls
LE Logic Elements
DC Directional Controls
SV Solenoid Valves
PV Proportional Valves
CE Coils & Electronics
BC Bodies & Cavities
TD Technical Data

General Description

Direct Acting Poppet-Type Relief Valve. For additional information see Technical Tips on pages PC1-PC4.

Features

- Fast response
- Excellent stability throughout flow range
- Virtually leak free
- Hardened working parts for maximum durability
- Adjustable, preset and tamper resistant versions available
- Preset version is tamper resistant and compact
- All external parts zinc plated



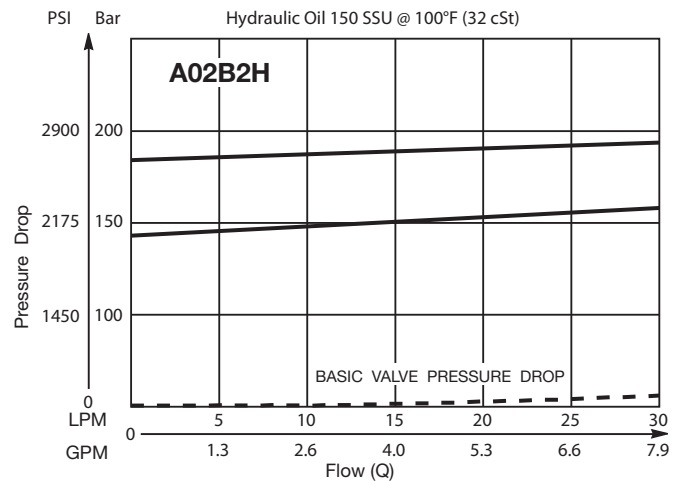
Specifications

| | |
|--------------------------------------|--|
| Rated Flow | 30 LPM (8 GPM) |
| Maximum Inlet Pressure | 420 Bar (6000 PSI) |
| Maximum Pressure Setting | H - 5-210 Bar (72-3000 PSI) P - 5-420 Bar (72-6000 PSI) |
| Sensitivity: Pressure/Turn | H 30 Bar (435 PSI) P 55 Bar (800 PSI) |
| Maximum Tank Pressure | 420 Bar (6000 PSI) |
| Leakage at 150 SSU (32 cSt) | 5 drops/min. @ 100 Bar (1450 PSI) |
| Cartridge Material | All parts steel. All operating parts hardened steel. |
| Fluid Compatibility/Viscosity | Mineral-based or synthetic with lubricating properties at viscosities of 45 to 2000 SSU (6 to 420 cSt) |
| Filtration | ISO-4406 18/16/13, SAE Class 4 |
| Approx. Weight | 0.20 kg (0.44 lbs.) |
| Cavity | C08-2 (See BC Section for more details) |
| Form Tool | Rougher None Finisher NFT08-2F |

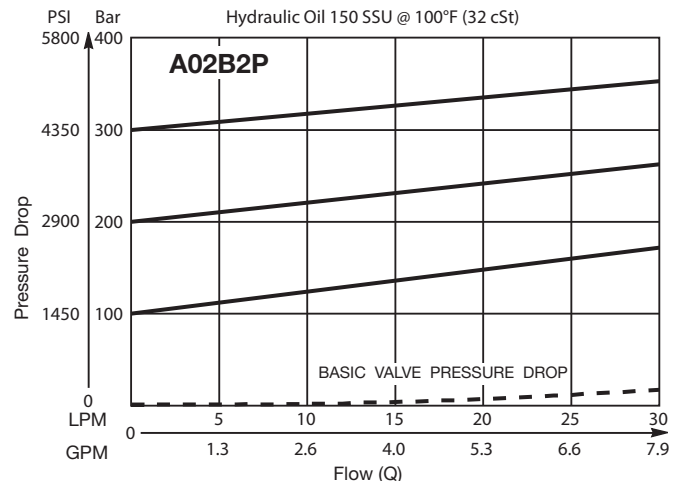
Performance Curves

(Pressure rise through cartridge only)

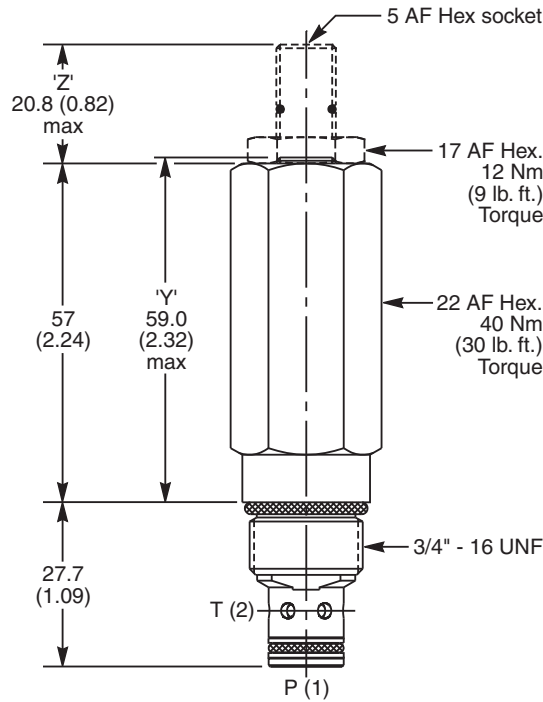
Flow vs. Inlet Pressure



Flow vs. Inlet Pressure



Dimensions Millimeters (Inches)



Ordering Information

| | | | |
|------------------------------------|---------------------------|------------------|----------|
| A02B2 | | Z | N |
| 08 Size Direct Acting Relief Valve | Pressure Adjustment Range | Adjustment Style | Seals |

| Code | Pressure Adjustment Range |
|------|-----------------------------|
| H | 5 - 210 Bar (72 - 3000 PSI) |
| P | 5 - 420 Bar (72 - 6000 PSI) |

| Code | Adjustment Style |
|------|------------------|
| Z | Screw Adjust |

| Code | Seals / Kit No. | Operating Temp. |
|------|--------------------------------|-----------------------------------|
| N | Nitrile, Buna-N / (SK30500N-1) | -34°C to +121°C (-30°F to +250°F) |

| Standard Pressure Setting |
|--|
| A02B2H Standard Setting: 100 Bar (1450 PSI) @ 2 LPM (0.5 GPM) |
| A02B2P Standard Setting: 200 Bar (2900 PSI) @ 2 LPM (0.5 GPM) |

Valves are supplied at Standard setting. Other settings are available, please contact Parker Sales.

Order Bodies Separately See section BC

| | | | | |
|------------------|---|----------------------|---|-----------|
| B08 | — | 2 | — | 6B |
| 08 Size | | 2-Way Cavity | | Port Size |
| Port Size | | Body Material | | |
| 3/8" BSP | | Steel | | |

- CV** Check Valves
- SH** Shuttle Valves
- LM** Load/Motor Controls
- FC** Flow Controls
- PC** Pressure Controls
- LE** Logic Elements
- DC** Directional Controls
- SV** Solenoid Valves
- PV** Proportional Valves
- CE** Coils & Electronics
- BC** Bodies & Cavities
- TD** Technical Data