

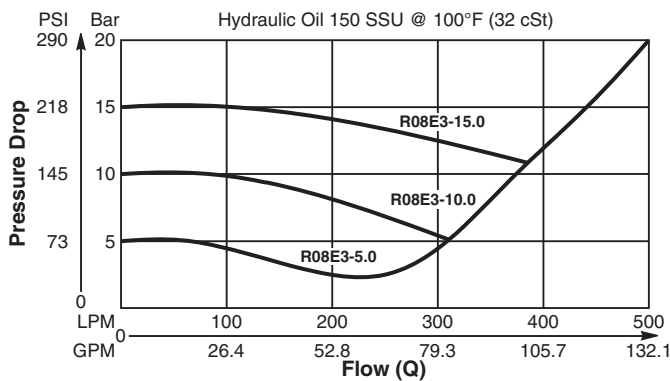
**General Description**

Spool Type , Normally Closed, Pilot to Close Logic Element. For additional information see Technical Tips on pages LE1-LE6.

**Features**

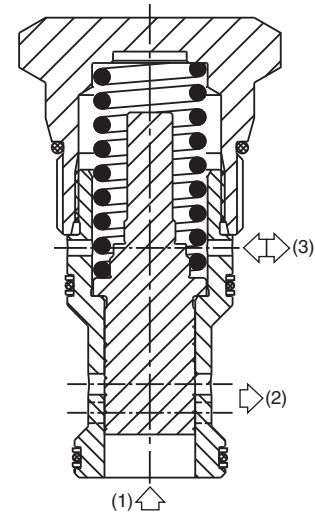
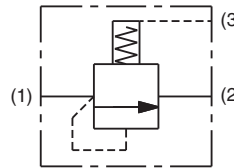
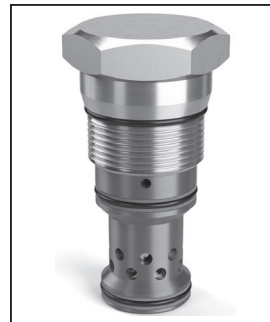
- High flow capacity
- Can be used as high flow switching or metering element
- Can be used as bleed off style pressure compensated flow regulator when used with restrictor
- Various switching pressures available
- 1:1 pilot pressure ratio
- Hardened working parts for maximum durability
- All external parts zinc plated

**Performance Curve** (Through cartridge only)  
**Vented Open Pressure Drop vs. Flow 1 to 2**

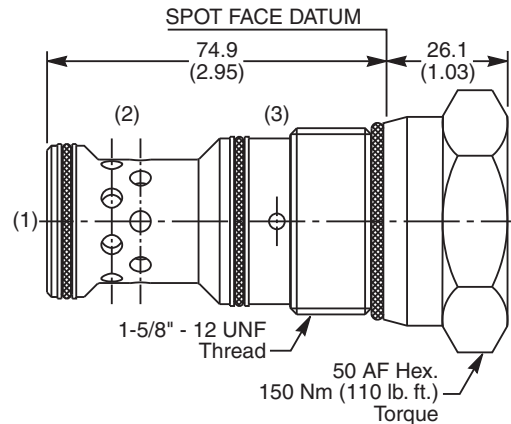


**Specifications**

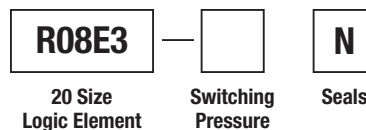
<b>Rated Flow</b>	500 LPM (132 GPM)
<b>Nominal Flow @ 7 Bar (100 PSI)</b>	340 LPM (90 GPM)
<b>Maximum Inlet Pressure</b>	420 Bar (6000 PSI)
<b>Leakage @ 150 SSU (32 cst)</b>	90 ml/min. @ 100 Bar (1450 PSI)
<b>Switching Press.</b>	See ordering information
<b>Cartridge Material</b>	All parts steel. All operating parts hardened steel.
<b>Fluid Compatibility/ Viscosity</b>	Mineral-based or synthetic with lubricating properties at viscosities of 45 to 2000 SSU (6 to 420 cSt)
<b>Filtration</b>	ISO-4406 18/16/13, SAE Class 4
<b>Approx. Weight</b>	.69 kg (1.52 lbs.)
<b>Cavity</b>	C20-3S (See BC Section for more details)
<b>Form Tool</b>	Rougher NFT20-3SR Finisher NFT20-3SF



**Dimensions** Millimeters (Inches)



**Ordering Information**



Code	Switching Pressure Non Adjustable Preset
5.0	5.0 Bar (73 PSI) Std.
10.0	10.0 Bar (145 PSI)
15.0	15.0 Bar (218 PSI)

*If no switching pressure is specified, valve will be supplied as R06E3-5.0N*

*Order Bodies Separately See section BC*

<b>LB10</b>	<b>746</b>	<b>S</b>
Line Body	Porting	Body Material

Code	Porting
746	1. 1/2" BSP

Code	Body Material
S	Steel

Code	Seals / Kit No.	Operating Temp.
N	Nitrile, Buna-N / (SK30512N-1)	-34°C to +121°C (-30°F to +250°F)

**CV**

Check Valves

**SH**

Shuttle Valves

**LM**

Load/Motor Controls

**FC**

Flow Controls

**PC**

Pressure Controls

**LE**

Logic Elements

**DC**

Directional Controls

**SV**

Solenoid Valves

**PV**

Proportional Valves

**CE**

Coils & Electronics

**BC**

Bodies & Cavities

**TD**

Technical Data