

CV
Check Valves
SH
Shuttle Valves
LM
Load/Motor Controls
FC
Flow Controls
PC
Pressure Controls
LE
Logic Elements
DC
Directional Controls
SV
Solenoid Valves
PV
Proportional Valves
CE
Coils & Electronics
BC
Bodies & Cavities
TD
Technical Data

General Description

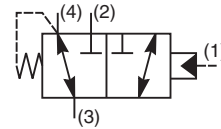
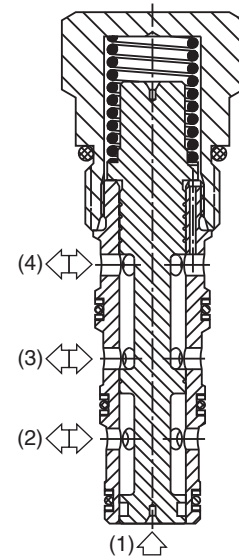
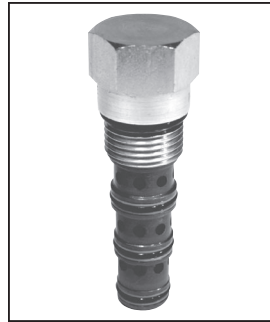
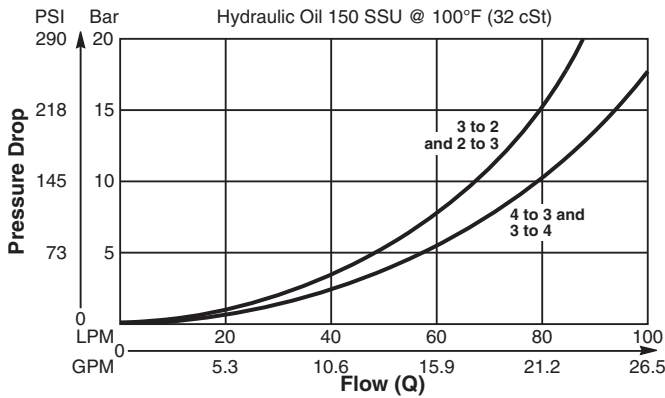
Pilot Operated Directional Valve, 3-Way External Pilot, Internal Vent.

Features

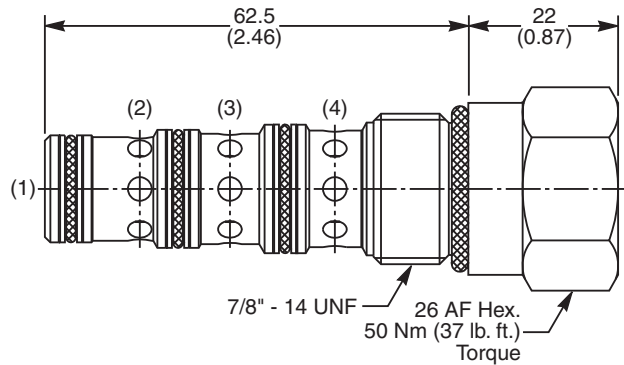
- High flow capacity
- Two switching pressures available
- Sealed pilot option available
- Hardened working parts for maximum durability
- All external parts zinc plated

Performance Curve

Pressure Drop vs. Flow (Through cartridge only)



Dimensions Millimeters (Inches)



Specifications

Rated Flow	90 LPM (24 GPM)
Nominal Flow @ 7 Bar (100 PSI)	50 LPM (13 GPM)
Maximum Inlet Pressure	420 Bar (6000 PSI)
Pilot Switching Pressure	See ordering information
Cartridge Material	All parts steel. All operating parts hardened steel.
Fluid Compatibility/Viscosity	Mineral-based or synthetic with lubricating properties at viscosities of 45 to 2000 SSU (6 to 420 cSt)
Filtration	ISO-4406 18/16/13, SAE Class 4
Approx. Weight	.17 kg (.37 lbs.)
Cavity	C10-4 (See BC Section for more details)

Ordering Information

N04A4 — **N**

10 Size Directional Valve Pilot Switching Pressure Seals Sealed Pilot

Order Bodies Separately See section BC

Code **Switching Pressure**

5.0	5.0 Bar (73 PSI) Std.
10.0	10.0 Bar (145 PSI)

If no switching pressure is specified, valve will be supplied as N04A4-5.0N

Code **Sealed Pilot**

Omit	If not required
S	Sealed Pilot

Port Size **Body Material**

1/2" BSP	Steel
----------	-------

B10 — **4** — **8B**

10 Size 4-Way Cavity Port Size

Code **Seals / Kit No.** **Operating Temp.**

N	Nitrile, Buna-N / (SK30506N-1)	-34°C to +121°C (-30°F to +250°F)
---	--------------------------------	-----------------------------------