

General Description

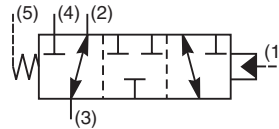
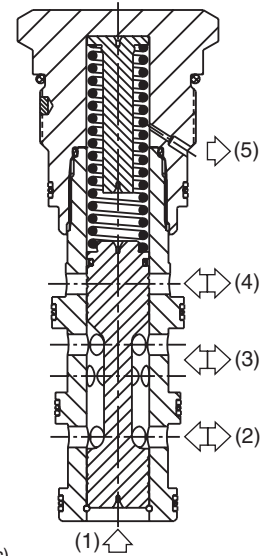
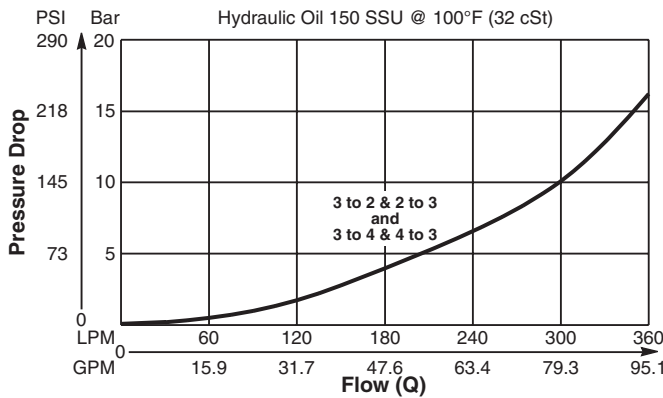
Pilot Operated Directional Valve, 3-Way, 2 Position, External Drain, Closed Transition.

Features

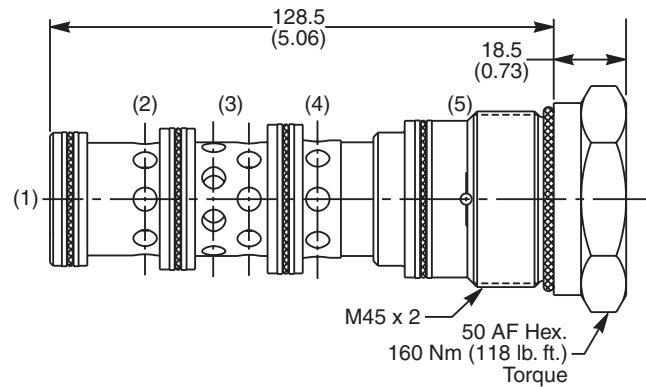
- High flow capacity
- Used as high flow switching or metering element
- Range of spring settings available
- All external parts zinc plated

Performance Curve

Pressure Drop vs. Flow (Through cartridge only)



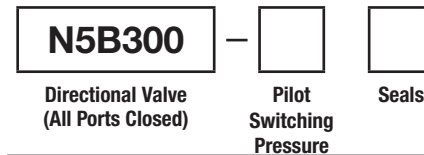
Dimensions Millimeters (Inches)



Specifications

Rated Flow	400 LPM (105 GPM)
Nominal Flow @ 7 Bar (100 PSI)	270 LPM (71 GPM)
Maximum Inlet Pressure	420 Bar (6000 PSI)
Pilot Switching Pressure	See ordering information
Cartridge Material	Steel operating parts, hardened steel spool.
Operating Temp. Range/Seals	-34°C to +121°C (Nitrile, Buna-N) (-30°F to +250°F) -26°C to +204°C (Fluorocarbon) (-15°F to +400°F)
Fluid Compatibility/Viscosity	Mineral-based or synthetic with lubricating properties at viscosities of 45 to 2000 SSU (6 to 420 cSt)
Filtration	ISO-4406 18/16/13, SAE Class 4
Approx. Weight	1.00 kg (2.2 lbs.)
Cavity	100-1 (See BC Section for more details)

Ordering Information



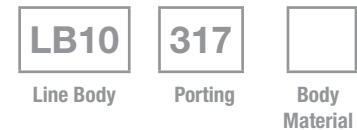
Highlighted represents preferred options that offer the shortest lead times. Other options may be available, but at extended lead times.

Code	Switching Pressure
3.0	3.0 Bar (44 PSI)
6.9	6.9 Bar (100 PSI) Std.
10.0	10.0 Bar (145 PSI)

If no switching pressure is specified, valve will be supplied as N5B300-6.9N

Code	Seals / Kit No.
N	Nitrile, Buna-N / (SK30065N-1)
V	Fluorocarbon / (SK30065V-1)

Order Bodies Separately See section BC



Code	Porting
317	1-1/4" SAE (main) 3/8" SAE (aux)

Code	Body Material
S	Steel (5000 PSI)
A	Aluminium (3000 PSI)

- CV Check Valves
- SH Shuttle Valves
- LM Load/Motor Controls
- FC Flow Controls
- PC Pressure Controls
- LE Logic Elements
- DC Directional Controls
- MV Manual Valves
- SV Solenoid Valves
- PV Proportional Valves
- CE Coils & Electronics
- CB Cartrpck Bodies
- BC Bodies & Cavities
- TD Technical Data