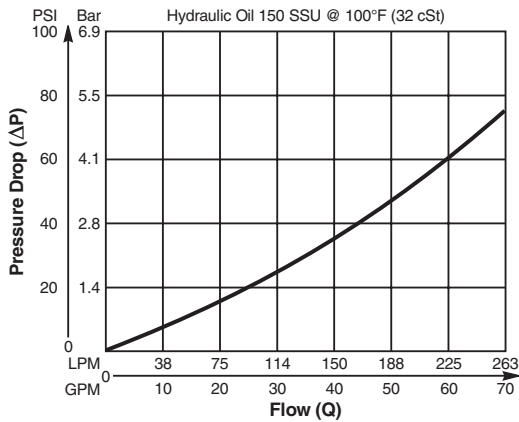


**Valve/Cavity Compatibility**

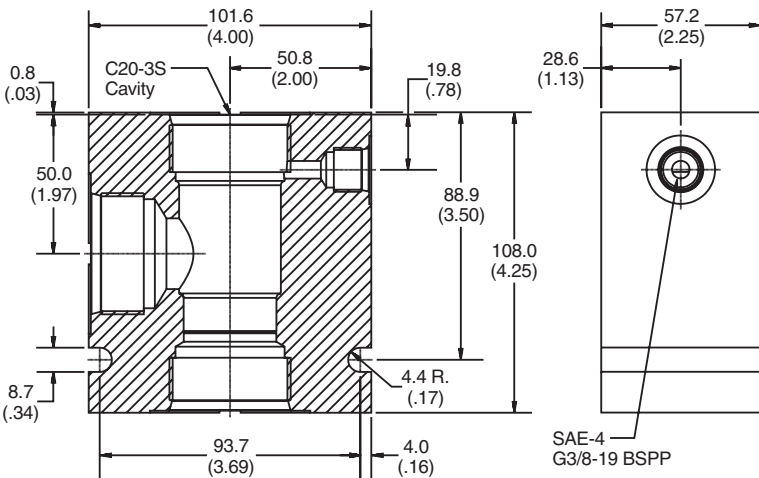
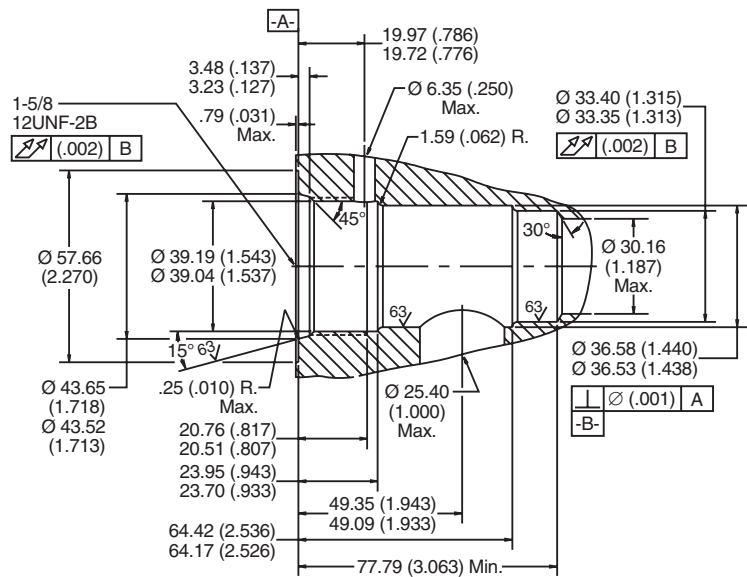
For additional information see Technical Tips on pages BC1-BC2.

		VALVE				
		Winner's Circle	Parker	Waterman	FPS	CEC
CAVITY	Winner's Circle	X				X
	Parker					
	Waterman					
	FPS					
	CEC	X				X

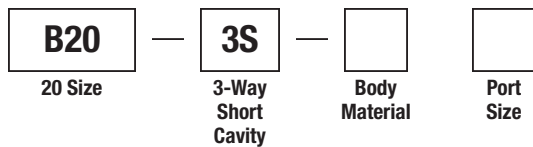
**Performance Curve**  
**Pressure Drop vs. Flow**



**Dimensions** Millimeters (Inches)



**Ordering Information**



Code	Body Material	Code	Port Size
Omit	Steel	20T	SAE - 20

**Form Tool:** Rougher NFT20S-3R  
 Finisher NFT20S-3F  
**Weight:** 10.8 kg (22.2 lbs.)

*\*Please be advised that this is a non-core line body.  
 Additional lead-time and/or pricing requirements may exist when ordering.*