

### General Description

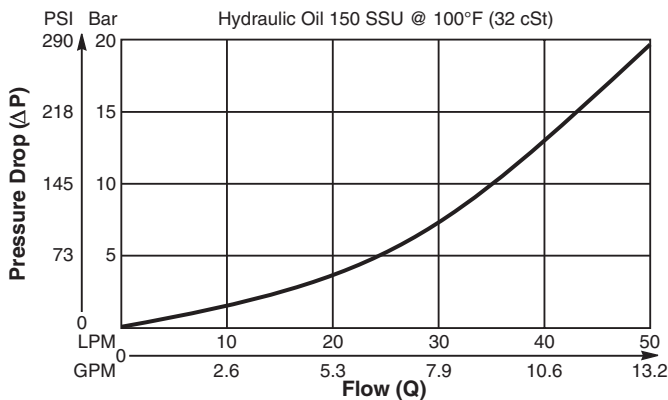
Three Way, Ball Type, Spring Centered Inverse Shuttle Valve. For additional information see Technical Tips on pages SH1-SH2.

### Features

- Used to ensure that in a dual accumulator charging circuit the accumulator with the lowest pressure is sensed back to the charging valve
- Suitable for charge rates up to 25 LPM (7 GPM) per accumulator
- One size valve for most applications
- All external parts zinc plated

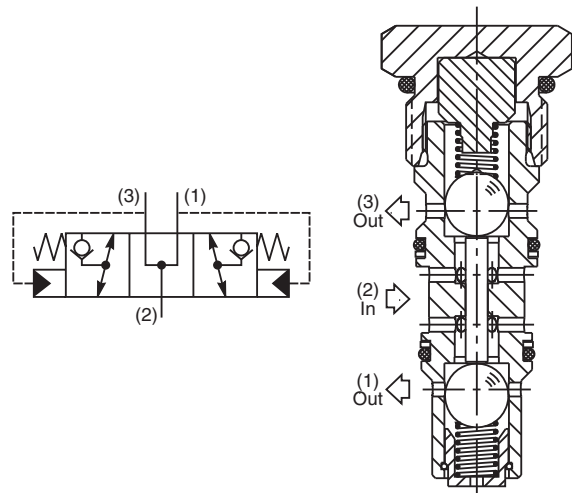
### Performance Curve

**Pressure Drop vs. Flow** (Through cartridge only)

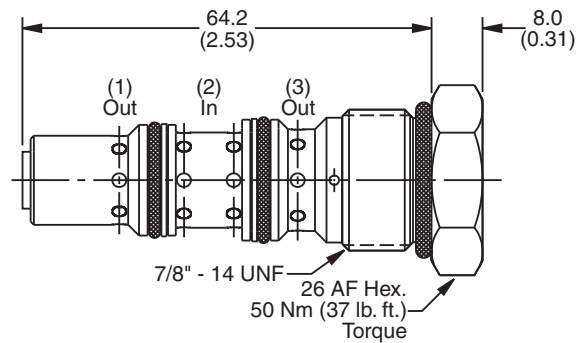


### Specifications

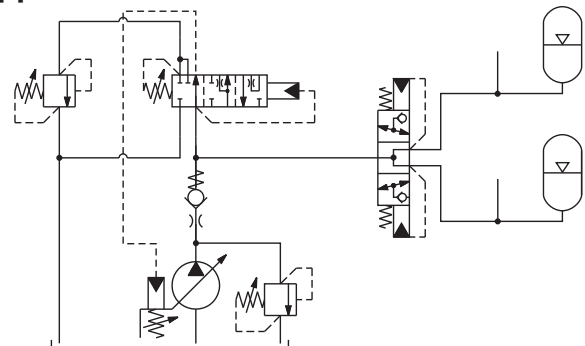
<b>Rated Flow</b>	50 LPM (13.2 GPM)
<b>Nominal Flow @ 7 Bar (100 PSI)</b>	30 LPM (7.9 GPM)
<b>Maximum Inlet Pressure</b>	350 Bar (5000 PSI)
<b>Cartridge Material</b>	All parts steel. All operating parts hardened steel.
<b>Operating Temp. Range/Seals</b>	-34°C to +121°C (Nitrile, Buna-N) (-30°F to +250°F) -26°C to +204°C (Fluorocarbon) (-15°F to +400°F)
<b>Fluid Compatibility/Viscosity</b>	Mineral-based or synthetic with lubricating properties at viscosities of 45 to 2000 SSU (6 to 420 cSt)
<b>Filtration</b>	ISO-4406 18/16/13, SAE Class 4
<b>Approx. Weight</b>	.14 kg (.31 lbs.)
<b>Cavity</b>	C10-4 (See BC Section for more details)



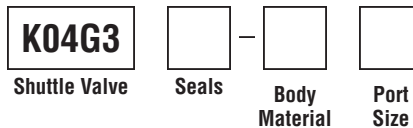
### Dimensions



### Application



### Ordering Information



Code	Seals / Kit No.
N	Nitrile, Buna-N / (SK30534N-1)
V	Fluorocarbon / (SK30534V-1)

Code	Port Size	Body Part No.
Omit	<b>Cartridge Only</b>	
6T	SAE-6	(B10-4-*6T)
8T	SAE-8	(B10-4-*8T)

\* Add "A" for aluminum, omit for steel.

Code	Body Material
Omit	Steel
A	Aluminum

**CV**

Check Valves

**SH**

Shuttle Valves

**LM**

Load/Motor Controls

**FC**

Flow Controls

**PC**

Pressure Controls

**LE**

Logic Elements

**DC**

Directional Controls

**MV**

Manual Valves

**SV**

Solenoid Valves

**PV**

Proportional Valves

**CE**

Coils & Electronics

**BC**

Bodies & Cavities

**TD**

Technical Data